

E-series

Articulated Dump Trucks

| B18E | B20E | B25E | B30E



BELL

E is for evolution

Your business is our business. Bell Articulated Dump Trucks haul more, for longer at the lowest cost-per-ton to deliver more on your profit margins.

As a global leader in Articulated Dump Trucks, Bell Equipment brings you the world class E-series range. The evolutionary E-series is packed with class leading features that deliver production boosting payloads, lower daily operating costs, superior ride quality and uncompromised safety standards. Bell E-series ADTs will give your business the competitive edge you need.



Specifications	B18E	B20E	B25E	B30E
Gross power	160 kW (214 hp)	160 kW (214 hp)	205 kW (275 hp)	240 kW (322 hp)
Operating mass				
Empty	15,289 kg (33,706 lb)	15,127 kg (33,349 lb)	18,763 kg (41,365 lb)	19,216 kg (42,365 lb)
Loaded	33,288 kg (73,387 lb)	33,449 kg (73,742 lb)	42,763 kg (94,276 lb)	47,216 kg (104,093 lb)
Rated payload	18,000 kg (39,683 lb)	18,000 kg (39,683 lb)	24,000 kg (52,911 lb)	28,000 kg (61,729 lb)
2:1 heaped capacity	11 m ³ (14,5 yd ³)	11 m ³ (14,5 yd ³)	15 m ³ (19,5 yd ³)	17,5 m ³ (22,9 yd ³)



Extensive use of high-strength, lightweight materials give these trucks the best payload-to-mass ratios and hauling efficiencies in each class.

With their oscillating frame and high-floatation tyres, Bell trucks won't leave you stuck on muddy, rutted or hilly terrain.

The redesigned sound-suppressed cab features fatigue-beating controls, advanced diagnostic monitor and a sealed-switch module for convenient, fingertip operation of numerous functions.

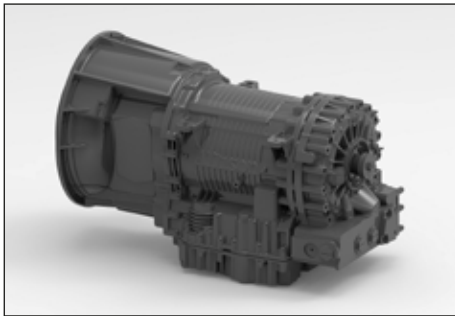
Fuel-efficient emission-certified engines deliver clean power without compromise in all conditions. Leading-edge emissions technology ensures rapid engine response and dependable cold-start performance.

The new E-series range takes ADT functionality to new industry standards, with customer-focused enhancements and the highest level of automated machine protection available.

Through substantial investments in Research and Development and employing industry leading technology, advancements have been made in the key areas of performance and fuel efficiency – helping you to move more material at lower operating costs and environmental impact.

Building on pedigree

Building on from the D-series platform, Bell Equipment's evolutionary approach to design delivers optimised power-to-weight ratio and legendary fuel efficiency.



Planetary powershift transmission optimises shift points to match conditions and vehicle weight while protecting the transmission from operator error and abuse.



The transfer case inter-axle differential delivers equal torque to each axle when traction is favourable. When conditions deteriorate, the diff-lock automatically engages to deliver torque to the tyres that can best use it.



High-strength steel and widely spaced taper roller bearings in the articulation area enhance long-term durability.



A tailgate is available as an option for better material retention. The tailgate opens as the bin is raised for dumping. Spring steel straps maintain positive seal throughout the haul, ensuring minimal material is lost.



• Limited-slip differentials and automatic transfer case diff-lock provide real Automatic Traction Control.

• The best-in-class payload-to-weight ratio means that more of your fuel cost is spent moving the material, not running the machine, decreasing your cost per tonne.

• An industry leading, fully automatic six-speed planetary transmission with torque converter lock-up maximises fuel efficiency.

• Automatic retardation slows the truck when the operator backs off the accelerator pedal for more confidence on steep grades and enhanced brake life.

• Electronic unit injection fuel system provides high injection pressures even at low engine speed for improved cold-starting ability, low-speed response, and reduced emissions.

• The short front end provides the best approach angle that allows these ADTs to attack steep terrain.

• High-travel suspension keeps all tyres in constant contact with the ground, for optimum traction.

gree

Improved payloads, faster haul cycles and industry leading fuel economy all help you move more material at a lower-cost-per-tonne than your competitors.

Class leading payload-to-weight ratio means that more of your fuel cost is spent moving the material and not running the machine - for maximum productivity and profitability.

With a high oscillating frame joint, articulated steering, and high-floatation tyres, these hard working haulers won't let wet weather or steep grades dampen your plans.



Our innovative comfort ride option is available as an option to even further enhance ride comfort by ensuring minimal whole body vibration exposure.

Productivity increases, through increased cycle times, and reduced haul road maintenance are even further benefits of the simple, but extremely successful system. Long haul cycles with rough, hard roads will see maximum benefit, especially on the unladen run.

Uncompromised durability

Built smarter, to work harder. Bell ADTs offer optimised machine weights so you spend more time and money moving material and not running the machine.

With decades of ADT experience, the new Bell E-series articulated hauler is designed and manufactured using purpose built, reliable Bell components best suited for the toughest of conditions. The central oscillation joint, high suspension travel on all axles, and balanced weight distribution provide the agility and ability to navigate hostile terrain.



The high-strength steel chassis delivers strength and rigidity without excess weight.



For comfortable productivity, front-suspension damping helps minimise vibration, while a superior suspension seat reduces the roll often experienced in off-road conditions.



Rough terrain demands tough suspensions. Heavy-duty components absorb shocks and come back for more. You get best-in-class ground clearance, too.



Hydraulically actuated dry-disc brakes deliver consistent “on-the-mark” braking, even in cold weather. Simplified design makes them easy to maintain.

Fully enclosed, dual circuit wet disc brakes offer superior braking performance and extended service life essential for wet and muddy conditions. Oil-immersed wet-disc brakes are virtually maintenance-free.

Viscous direct-drive engine fans provide cooling for the best efficiency.

Class leading engine braking coupled with automated transmission retardation, provides superior braking power and reduces service brake wear.

Other uptime-boosting features include world class on-board diagnostics with live stream functionality, solid-state sealed switches and satellite fleet management system.

High-strength welded-alloy steel chassis and reinforced articulation joints, offer superior strength and durability with optimised weight for class leading power-to-weight ratio. Lower machine mass reduces powertrain and structural stress.

Operate with ease

Using the latest in automotive technology and state-of-the-art tooling, the E-series takes operator experience to new heights.

Climb into the cab of a Bell ADT and you will feel right at home. Its quiet, spacious interior, ergonomically positioned operator station and climate-controlled cabin is loaded with productivity-boosting comfort and convenience features that minimise operator fatigue and enhance the operator's experience. Modern flowing lines, in keeping with current styling trends on road vehicles, offer unsurpassed levels of visibility.

From the state-of-the-art 10" full colour screen and automotive mouse interface with centrally located sealed display unit to air suspension seat, tilt/telescoping steering wheel and optional CD player with high-output speakers, the E-series provides everything your operators need to perform at their best.



Easy-to-understand instruments and intuitive controls wrap around the operator so they're easier to view and operate.



A user friendly 10" colour monitor offers vital operating information, safety warnings, detailed diagnostic readings and dump body function settings.



An automotive controller with menu navigation provides for simple operation of machine functions.



Convenient sealed switch module provides fingertip control of numerous productivity enhancing functions including: **Keyless Start, I-Tip, Dump Body Upper Limit, Soft Stop/Hard Stop Selection, Retarder Aggressiveness and Speed Control.**

- The standard sound-suppression package significantly reduces noise levels and operator fatigue.
- The adaptive transmission control adjusts clutch engagement to ensure smooth, consistent shifts throughout the life of the truck.
- A fully adjustable air-suspension seat with variable damping, auto height adjust according to operator weight, pneumatic lumbar support and multipoint harness for class-leading comfort and safety.
- A purpose designed HVAC climate-control system with automotive-style louvres keeps the glass clear and the cab comfortable.
- New machine styling and cabin design improvements, which include full glass access door and high visibility mirror package, provide exceptional all-round visibility.
- You won't find retarder pedals or levers in a Bell truck. Retarder aggressiveness is simply set on the switch pad. Everything else is automatic.

Safety, our business too

By listening to users and delivering on expectations in an ever changing workplace, we provide a truck that leads in application safety with numerous groundbreaking innovations.

Independent features such as Keyless Start, HillAssist, Bin Tip Prevention, Auto Park Application (APA), Standard Turbo Spin Protection and On-Board Weighing (OBW) are still standard on the E-series. For improved safety and productivity, the E-series has an automatic Inter-axle Differential Lock (IDL) giving the vehicle full Automatic Traction Control.



Our quiet operator cabins are ROPS/FOPS certified with an air suspension operator seat. Both the operator and trainer seat have retractable lap belts with automatically locking retractors.



An optional integrated reverse camera and high visibility mirrors ensure superior all round visibility.



Keyless start, driver identity and access codes ensure no unauthorised operation of your equipment.



- Full handrails (to ISO 2876) can be installed to offer improved safety when performing engine checks.
- The park brake automatically applies when neutral is selected and it is not possible to engage neutral at speed. Torque dependent park brake release (hill assist) ensures no roll back on slopes.
- Best-in-class retarder and engine braking automatically applies when the operator lifts his foot off the accelerator. Retarder aggressiveness can be simply adjusted on the sealed switch module ensuring maximum descent control for all conditions.
- All trucks can be set up to automatically sound the horn when starting or switching between forward and reverse.
- Multiple geofencing in challenging site conditions ensures safe machine operation, such as downhill speed control, geofence speed limits and bin restrictions.



The exclusive on-board weighing option presents the operator with real time information on the payload while the machine is being loaded. A 'speed restriction' mode can also be activated if the machine is significantly overloaded.



The incorporation of a pitch and roll sensor in the vehicle prevents bin operation if the truck is in an unsafe position.



Both operator or site selectable maximum speed control allows the vehicle to automatically decelerate and apply the retarder to prevent onsite speeding.

Maximise your uptime

The E-Series is loaded with features that make it as easy to maintain as it is to operate. Spend less time and expense getting ready for work and more time getting work done.

Easy-to-reach dipsticks, see-through reservoirs, sight gauges and grouped service points make quick work of the daily routine. Quick-change filters, extended engine and hydraulic oil-service intervals lower daily operating costs and provide superior machine uptime. An industry leading 10" colour monitor offers on-board machine diagnostics as well as automated daily service functionality, this coupled with diagnostic test ports help you troubleshoot and make informed maintenance decisions on site.

- Automated daily service checks can be done with ease and comfort from inside the operator station using the 10" colour LCD monitor and sealed display controller.
- The load-sensing hydraulic system was designed with simplicity in mind, while maintaining efficiency. Fewer components for improved reliability and serviceability.
- Extended engine transmission and hydraulic oil-change for increased uptime and lower operating cost.
- Available environmental drains allow quick, no-spill changes.
- Your Bell Service Centre has the parts and backup you need to stay productive and offers a wide variety of preventative maintenance and support programmes to help you control costs.



If something goes wrong, the diagnostic monitor provides service codes and supporting info to help diagnose the problem.



The cab can be tilted in minutes without special tools, for convenient service access to drivetrain components.



An in-cab load centre simplifies fuse replacement. Fewer relays, connectors and harnesses mean higher reliability.



See-through fluid reservoirs and sight gauges let you check fluid levels at a glance.

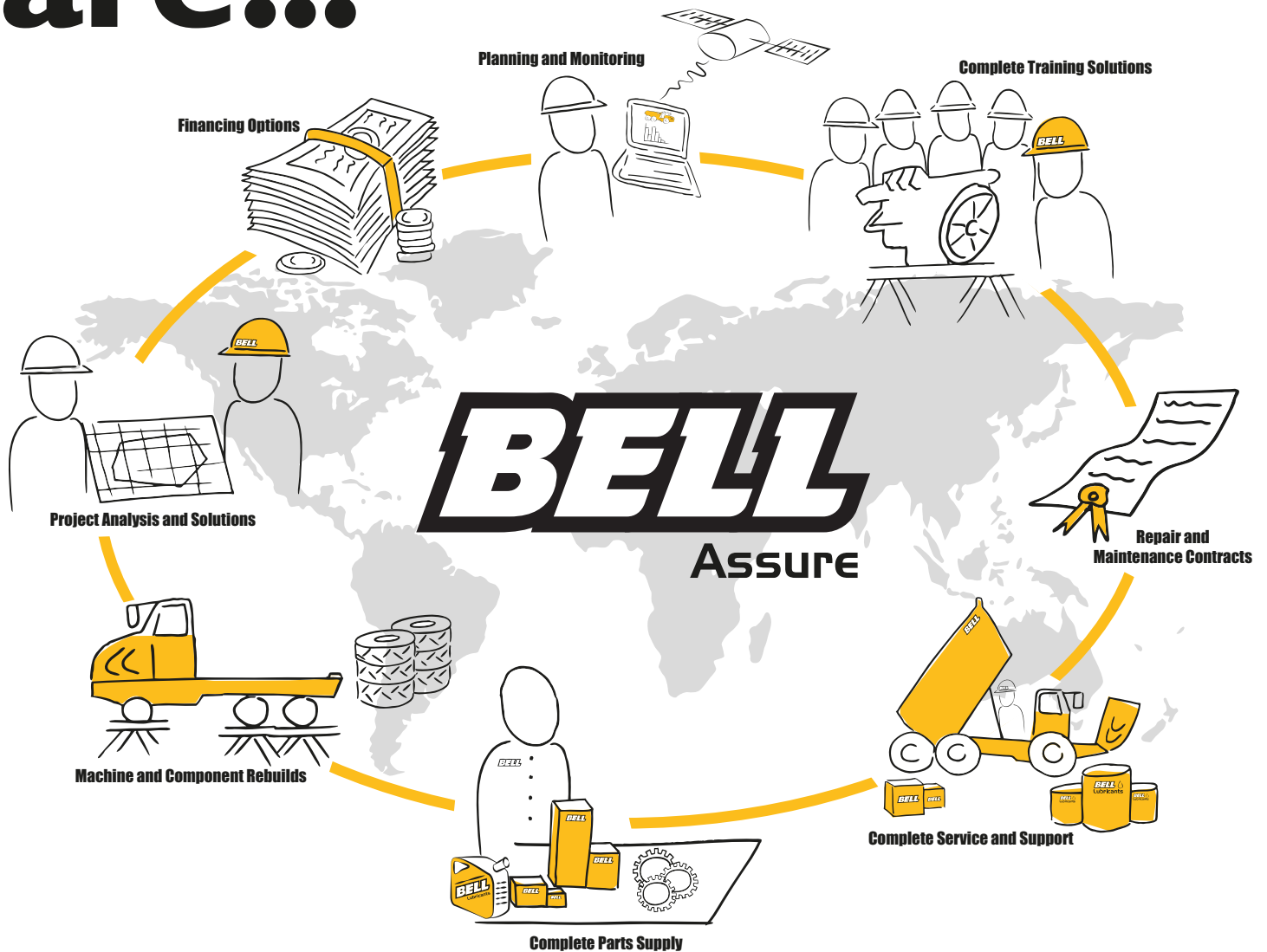


Easily accessible test ports allow technicians to troubleshoot problems more quickly.



The centralised lube bank places difficult-to-reach nipples within reach. The convenient lube chart helps ensure that nothing gets overlooked.

Where ever you are...



Through our own network as well as approved dealers and strategic alliances we ensure supply and support to the global market.

Develop a lasting and meaningful partnership with Bell Equipment through Bell Assure, your tailor-made support structure furnished with all the after-sales tools you need to give you best value, peace of mind and a unique after-sales experience.

...we have you covered

Smarter fleet management



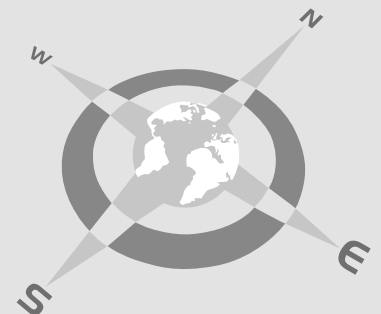
BELL
Fleetm@tic

Cutting edge technology, helping you run your fleet smarter. Providing accurate, up-to-date operational data, production data and diagnostic data.

Machine operational data is processed and compiled into useful production and performance statistics, accessible via the Bell Fleetm@tic website. These reports are also automated and emailed directly to you. The key to a productive and profitable fleet, lies in the ability to monitor and manage your machines and operators efficiently.

Fleetm@tic:

- Maximise productivity
- Generate machine utilisation reports
- Identify operator training requirements
- Pro-active maintenance planning
- Receive machine health data
- Implement safety features
- Protect investments
- Receive real time geospatial data



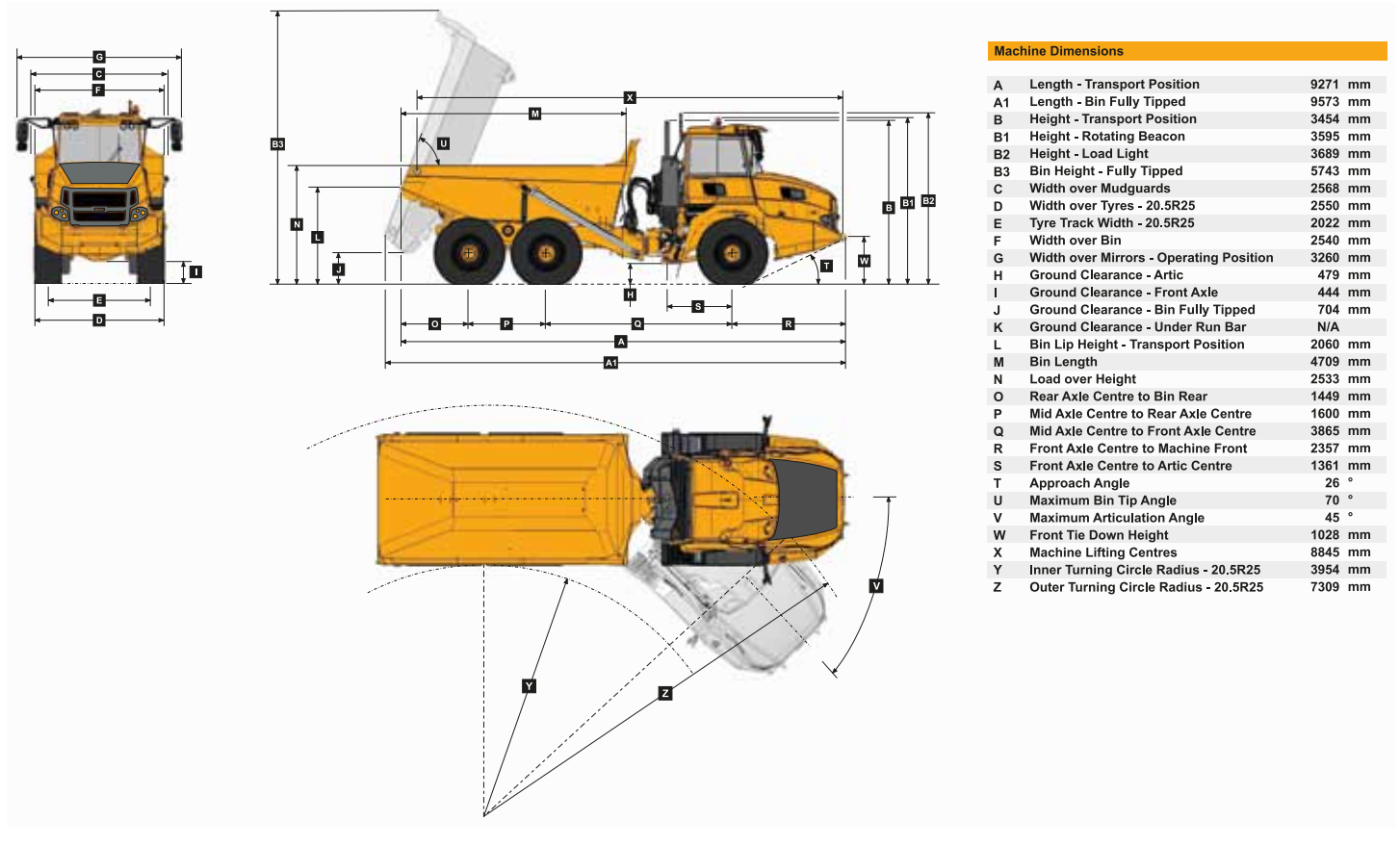
Technical Data - B18E

<p>ENGINE</p> <p>Mercedes Benz OM 924 LA</p> <p>Gross Power 160 kW (214 hp) @ 2,200 rpm</p> <p>Net Power 152 kW (204 hp) @ 2,200 rpm</p> <p>Torque 810 Nm (597 lbf) @ 1,200 -1,600 rpm</p> <p>Displacement 4,80 litres (293 cu.in)</p> <p>Fuel Tank Capacity 200 l (53 US gal)</p> <p>Auxiliary Brake Exhaust brake Engine Valve Brake (EVB)</p> <p>Certification OM 924 LA meets EU Stage IIIA/EPA Tier 3 emissions regulations</p> <p>TRANSMISSION</p> <p>Standard Non-retarder: Allison 3000P ORS Optional Retarder: Allison 3000PR ORS</p> <p>Layout Engine mounted</p> <p>Gear Layout Constant meshing planetary gears</p> <p>Gears Automatic: 6 Forward, 1 Reverse</p> <p>Clutch Type Hydraulically operated multidisc</p> <p>Control Type Electronic</p> <p>Torque Control Hydrodynamic, with lock-up in all gears</p> <p>TRANSFER BOX</p> <p>Bell GR 8000</p> <p>Layout Remote mounted</p> <p>Gear Layout Three in-line helical gears</p> <p>Output Differential Interaxle torque proportional, 67/33 Automatic inter axle diff lock</p>	<p>AXLES</p> <p>Bell 18T Axle housings: fabricated steel Differentials: high input limited slip on front and middle axle. Final drive: outboard planetary.</p> <p>BRAKING SYSTEM</p> <p>Service Brake Dual circuit, full hydraulic actuation Dry disc brakes with 8 calipers (4F, 2M, 2R).</p> <p>Maximum Brake Force 244 kN (54,720 lbf) with standard tyres.</p> <p>Park & Emergency Spring applied air released, driveline mounted disc</p> <p>Maximum Brake Force 181,5 kN (40,802 lbf)</p> <p>Auxiliary Brake Automatic exhaust brake and Engine Valve Brake (EVB). Variable Adjustable Hydraulic retarder in transmission.</p> <p>Maximum Retardation 119 kW (159 hp) 540 kW (724 hp) with retarder option</p> <p>WHEELS</p> <p>Type Radial Earthmover</p> <p>Tyre 20.5R25</p> <p>FRONT SUSPENSION</p> <p>Semi-independent, leading A-frame supported by hydro-pneumatic (oil/nitrogen) suspension struts.</p> <p>REAR SUSPENSION</p> <p>Pivoting walking beams with laminated rubber suspension blocks</p>	<p>HYDRAULIC SYSTEM</p> <p>Variable displacement load sensing</p> <p>Flow 155 l/min (41,5 gal/min)</p> <p>Pressure 27 MPa (3,915 psi)</p> <p>Filter 5 microns</p> <p>STEERING SYSTEM</p> <p>Double-acting cylinders with ground driven emergency steering pump</p> <p>Lock to lock turns 4.32</p> <p>Steering Angle 45°</p> <p>DUMPING SYSTEM</p> <p>Double-acting, single stage cylinders</p> <p>Raise Time 10 s</p> <p>Lowering Time 5,5 s</p> <p>Tipping Angle 70°</p> <p>PNEUMATIC SYSTEM</p> <p>Air drier with heater and integral unloader valve, serving park brake and auxiliary functions.</p> <p>System Pressure 810 kPa (117 psi)</p> <p>ELECTRICAL SYSTEM</p> <p>Voltage 24 V</p> <p>Battery Type Two AGM (Absorption Glass Mat) type</p> <p>Battery Capacity 2 X 75 Ah</p> <p>Alternator Rating 28 V 80 A</p>	<p>VEHICLE SPEEDS</p> <table border="1"> <tr><td>1st</td><td>11 km/h</td><td>7 mph</td></tr> <tr><td>2nd</td><td>20 km/h</td><td>12 mph</td></tr> <tr><td>3rd</td><td>27 km/h</td><td>17 mph</td></tr> <tr><td>4th</td><td>38 km/h</td><td>24 mph</td></tr> <tr><td>5th</td><td>50 km/h</td><td>31 mph</td></tr> <tr><td>6th</td><td>50 km/h</td><td>31 mph</td></tr> <tr><td>R</td><td>7 km/h</td><td>4 mph</td></tr> </table> <p>CAB</p> <p>ROPS/FOPS certified 76 dBA internal sound level measured according to ISO 6396.</p>	1st	11 km/h	7 mph	2nd	20 km/h	12 mph	3rd	27 km/h	17 mph	4th	38 km/h	24 mph	5th	50 km/h	31 mph	6th	50 km/h	31 mph	R	7 km/h	4 mph
1st	11 km/h	7 mph																						
2nd	20 km/h	12 mph																						
3rd	27 km/h	17 mph																						
4th	38 km/h	24 mph																						
5th	50 km/h	31 mph																						
6th	50 km/h	31 mph																						
R	7 km/h	4 mph																						

Load Capacity & Ground Pressure

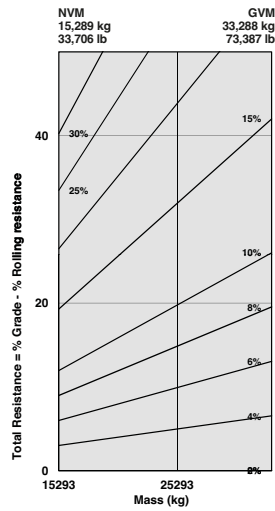
OPERATING WEIGHTS		GROUND PRESSURE				LOAD CAPACITY		OPTION WEIGHTS	
UNLADEN	kg (lb)	LADEN (No sinkage)		LADEN (15% sinkage)		BODY	m ³ (yd ³)		kg (lb)
Front	8,075 (17,802)	20.5R25	kPa (Psi)	20.5R25	kPa (Psi)	Struck Capacity	9 (11)	Bin liner	802 (1,768)
Middle	3,885 (8,565)					SAE 2:1 Capacity	11 (14,5)		
Rear	3,329 (7,339)	Middle	302 (44)	Middle	185 (27)	SAE 1:1 Capacity	13,5 (17,5)		
Total	15,289 (33,706)	Rear	302 (44)	Rear	185 (27)	Rated Payload	18,000 kg (39,683 lbs)		
LADEN									
Front	10,023 (22,097)								
Middle	11,815 (26,048)								
Rear	11,450 (25,243)								
Total	33,288 (73,387)								

Dimensions

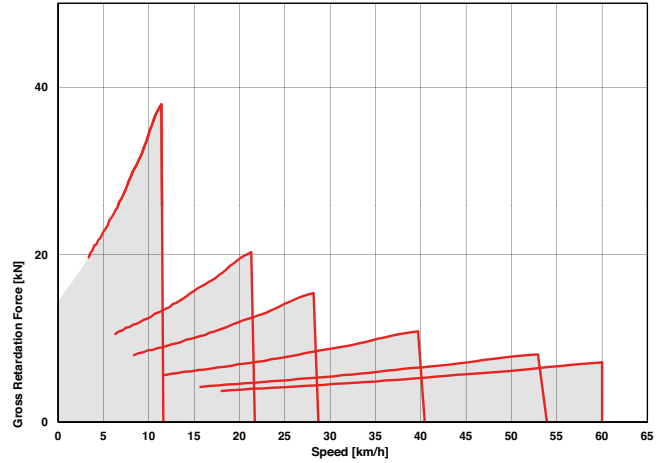


Retardation

1. Determine retardation force required by finding intersection of vehicle mass line.
2. From this intersection, move straight left across charts until line intersects the curve. NOTE: 2% typical rolling resistance is already assumed in chart.
3. Read down from this point to determine maximum speed.

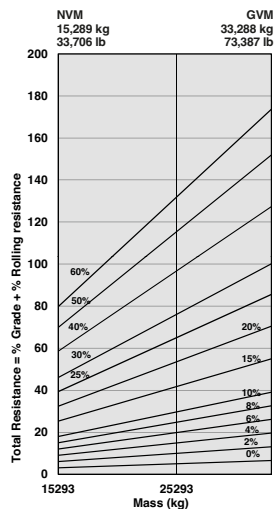


ADT, B18E 6X4 Retardation: Standard Non-Retarder

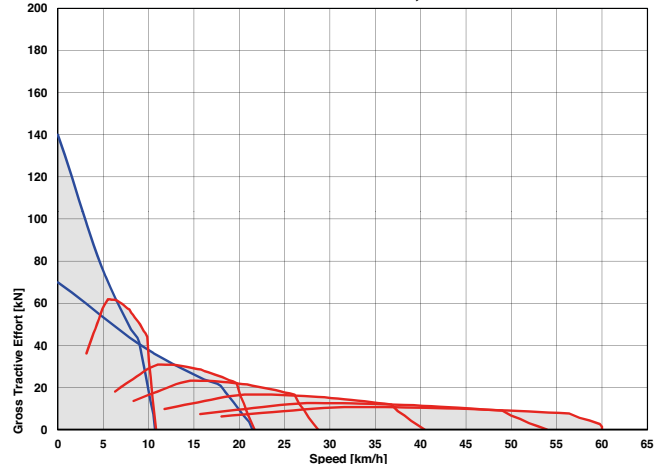


Gradeability / Rimpull

1. Determine tractive resistance by finding intersection of vehicle mass line and grade line. NOTE: 2% typical rolling resistance is already assumed in chart and grade line.
2. From this intersection, move straight left across charts until line intersects rimpull curve.
3. Read down from this point to determine maximum speed attained at that tractive resistance.



ADT, B18E 6X4 Tractive Effort



Technical Data - B20E

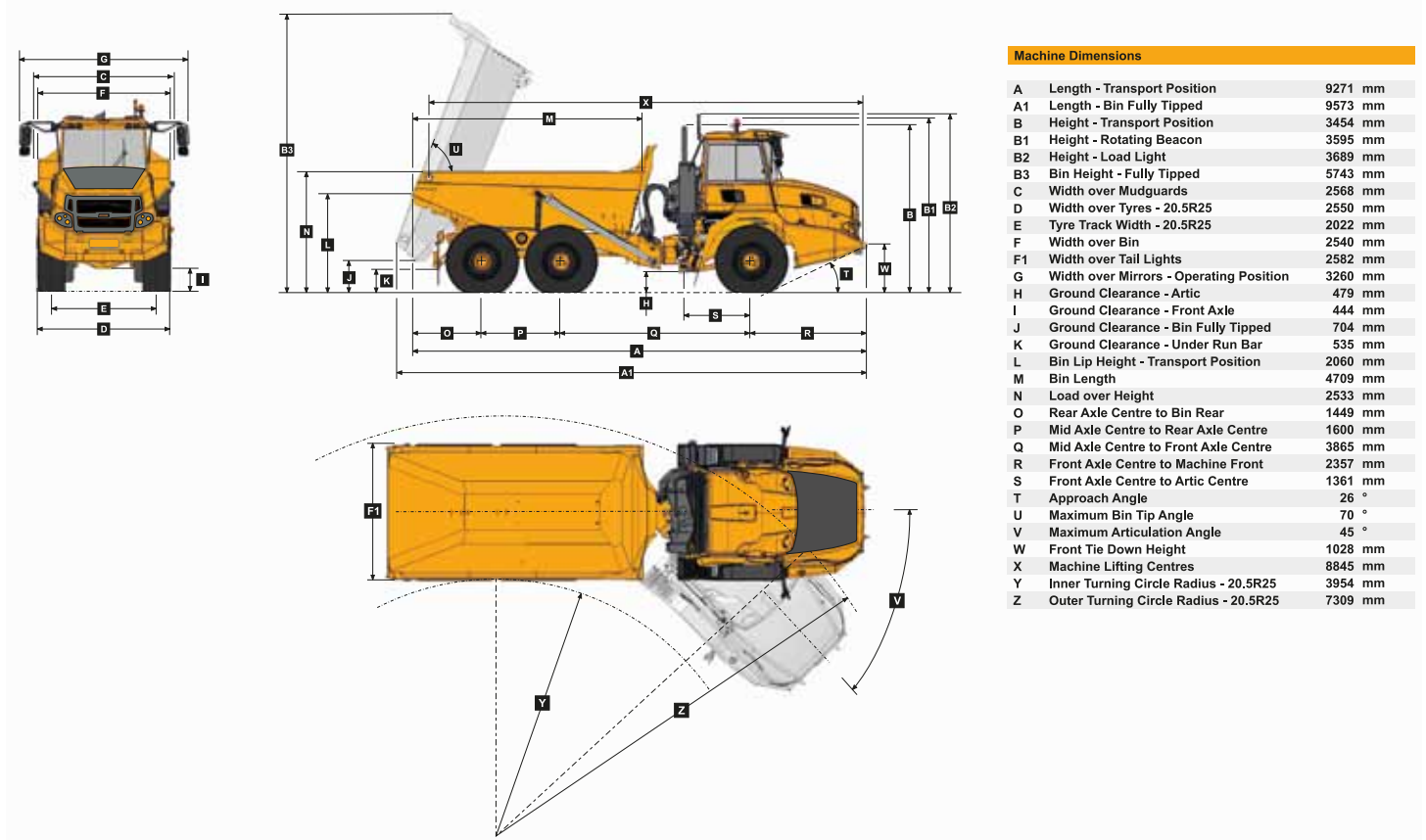
<p>ENGINE</p> <p>Mercedes Benz OM 924 LA</p> <p>Gross Power 160 kW (214 hp) @ 2,200 rpm</p> <p>Net Power 152 kW (204 hp) @ 2,200 rpm</p> <p>Torque 810 Nm (597 lbf) @ 1,200 -1,600 rpm</p> <p>Displacement 4,80 litres (293 cu.in)</p> <p>Fuel Tank Capacity 200 l (53 US gal)</p> <p>Auxiliary Brake Exhaust brake Engine Valve Brake (EVB)</p> <p>Certification OM 924 LA meets EU Stage IIIA/EPA Tier 3 emissions regulations</p> <p>TRANSMISSION</p> <p>Standard Non-retarder: Allison 3000P ORS Optional Retarder: Allison 3000PR ORS</p> <p>Layout Engine mounted</p> <p>Gear Layout Constant meshing planetary gears</p> <p>Gears Automatic: 6 Forward, 1 Reverse</p> <p>Clutch Type Hydraulically operated multidisc</p> <p>Control Type Electronic</p> <p>Torque Control Hydrodynamic, with lock-up in all gears</p> <p>TRANSFER BOX</p> <p>Bell GR 8000</p> <p>Layout Remote mounted</p> <p>Gear Layout Three in-line helical gears</p> <p>Output Differential Interaxle torque proportional, 67/33 Automatic inter axle diff lock</p>	<p>AXLES</p> <p>Bell 18T Axle housings: fabricated steel Differentials: high input limited slip on front and middle axle. Final drive: outboard planetary.</p> <p>BRAKING SYSTEM</p> <p>Service Brake Dual circuit, full hydraulic actuation Dry disc brakes with 8 calipers (4F, 2M, 2R).</p> <p>Maximum Brake Force 244 kN (54,720 lbf) with standard tyres.</p> <p>Park & Emergency Spring applied air released, driveline mounted disc</p> <p>Maximum Brake Force 181,5 kN (40,802 lbf)</p> <p>Auxiliary Brake Automatic exhaust brake and Engine Valve Brake (EVB). Variable Adjustable Hydraulic retarder in transmission.</p> <p>Maximum Retardation 119 kW (159 hp) 540 kW (724 hp) with retarder option</p> <p>WHEELS</p> <p>Type Radial Earthmover</p> <p>Tyre 20.5R25</p> <p>FRONT SUSPENSION</p> <p>Semi-independent, leading A-frame supported by hydro-pneumatic (oil/nitrogen) suspension struts.</p> <p>REAR SUSPENSION</p> <p>Pivoting walking beams with laminated rubber suspension blocks</p>	<p>HYDRAULIC SYSTEM</p> <p>Variable displacement load sensing</p> <p>Flow 155 l/min (41,5 gal/min)</p> <p>Pressure 27 MPa (3,915 psi)</p> <p>Filter 5 microns</p> <p>STEERING SYSTEM</p> <p>Double-acting cylinders with ground driven emergency steering pump</p> <p>Lock to lock turns 4.32</p> <p>Steering Angle 45°</p> <p>DUMPING SYSTEM</p> <p>Double-acting, single stage cylinders</p> <p>Raise Time 10 s</p> <p>Lowering Time 5,5 s</p> <p>Tipping Angle 70°</p> <p>PNEUMATIC SYSTEM</p> <p>Air drier with heater and integral unloader valve, serving park brake and auxiliary functions.</p> <p>System Pressure 810 kPa (117 psi)</p> <p>ELECTRICAL SYSTEM</p> <p>Voltage 24 V</p> <p>Battery Type Two AGM (Absorption Glass Mat) type</p> <p>Battery Capacity 2 X 75 Ah</p> <p>Alternator Rating 28 V 80 A</p>	<p>VEHICLE SPEEDS</p> <table border="1"> <tr><td>1st</td><td>11 km/h</td><td>7 mph</td></tr> <tr><td>2nd</td><td>20 km/h</td><td>12 mph</td></tr> <tr><td>3rd</td><td>27 km/h</td><td>17 mph</td></tr> <tr><td>4th</td><td>38 km/h</td><td>24 mph</td></tr> <tr><td>5th</td><td>50 km/h</td><td>31 mph</td></tr> <tr><td>6th</td><td>50 km/h</td><td>31 mph</td></tr> <tr><td>R</td><td>7 km/h</td><td>4 mph</td></tr> </table> <p>CAB</p> <p>ROPS/FOPS certified 76 dBA internal sound level measured according to ISO 6396.</p>	1st	11 km/h	7 mph	2nd	20 km/h	12 mph	3rd	27 km/h	17 mph	4th	38 km/h	24 mph	5th	50 km/h	31 mph	6th	50 km/h	31 mph	R	7 km/h	4 mph
1st	11 km/h	7 mph																						
2nd	20 km/h	12 mph																						
3rd	27 km/h	17 mph																						
4th	38 km/h	24 mph																						
5th	50 km/h	31 mph																						
6th	50 km/h	31 mph																						
R	7 km/h	4 mph																						

Load Capacity & Ground Pressure

OPERATING WEIGHTS		GROUND PRESSURE				LOAD CAPACITY		OPTION WEIGHTS	
UNLADEN	kg (lb)	LADEN (No sinkage)		LADEN (15% sinkage)		BODY	m ³ (yd ³)		kg (lb)
Front	7,698 (16,971)	20.5R25	kPa (Psi)	20.5R25	kPa (Psi)	Struck Capacity	9 (11)	Bin liner	497 (1,096)
Middle	3,984 (8,783)	Front	221 (32)	Front	145 (21)	SAE 2:1 Capacity	11 (14,5)		
Rear	3,445 (7,595)	Middle	302 (44)	Middle	185 (27)	SAE 1:1 Capacity	13,5 (17,5)		
Total	15,127 (33,349)	Rear	302 (44)	Rear	185 (27)	Rated Payload	18,000 kg (39,683 lbs)		
LADEN									
Front	10,023 (22,097)								
Middle	11,895 (26,224)								
Rear	11,531 (25,422)								
Total	33,449 (73,742)								

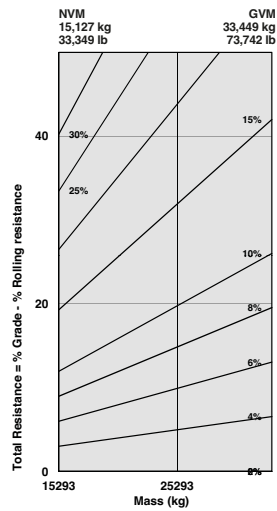
Note: The B20E is a road legal truck and as such, the unladen weight is quoted without operator and fuel. All other Bell machines are quoted with operator and full fuel.

Dimensions

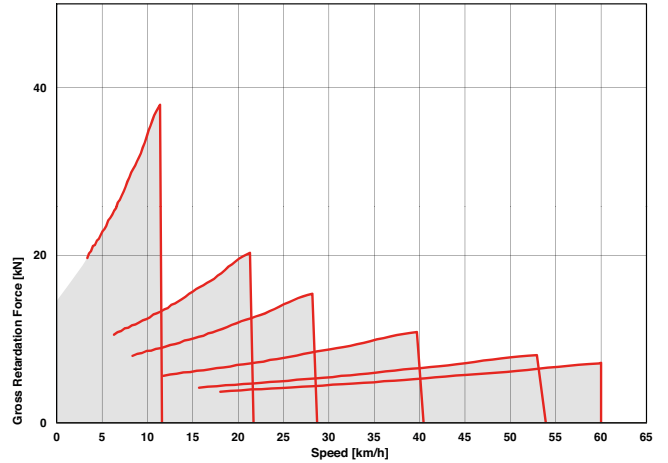


Retardation

1. Determine retardation force required by finding intersection of vehicle mass line.
2. From this intersection, move straight left across charts until line intersects the curve. NOTE: 2% typical rolling resistance is already assumed in chart.
3. Read down from this point to determine maximum speed.

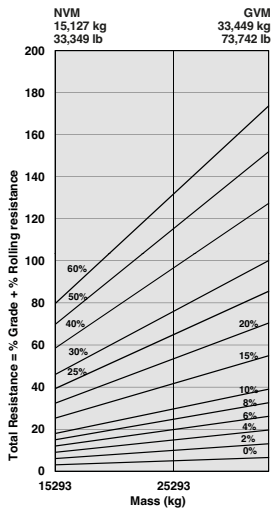


ADT, B20E 6X4 Retardation: Standard Non-Retarder

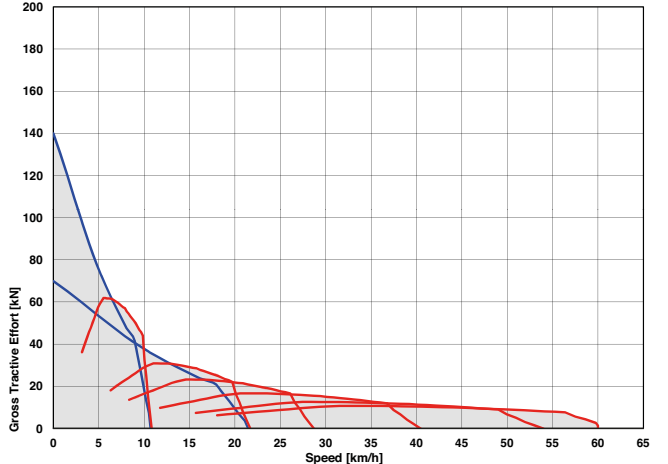


Gradeability / Rimpull

1. Determine tractive resistance by finding intersection of vehicle mass line and grade line. NOTE: 2% typical rolling resistance is already assumed in chart and grade line.
2. From this intersection, move straight left across charts until line intersects rimpull curve.
3. Read down from this point to determine maximum speed attained at that tractive resistance.



ADT, B20E 6X4 Tractive Effort



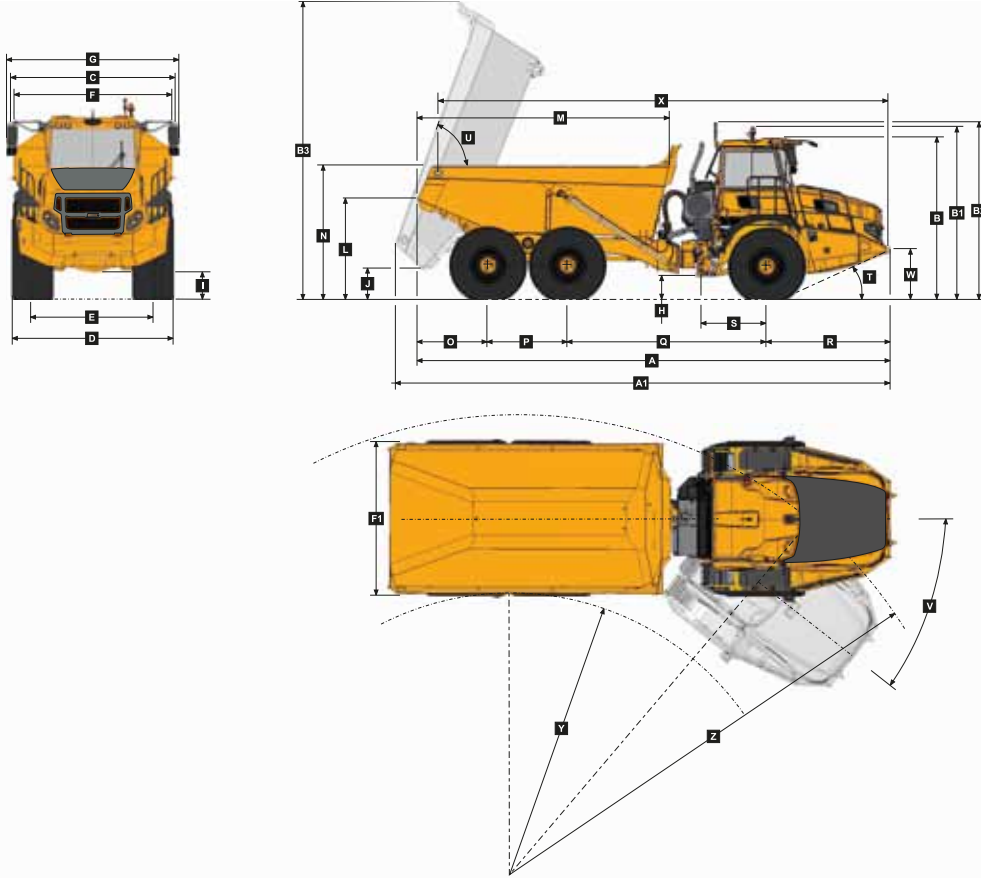
Technical Data - B25E

<p>ENGINE</p> <p>Mercedes Benz OM 906 LA</p> <p>Gross Power 205 kW (275 hp) @ 2,200 rpm</p> <p>Net Power 198 kW (265 hp) @ 2,200 rpm</p> <p>Torque 1,000 Nm (738 lbf) @ 1,200 -1,600 rpm</p> <p>Displacement 6,37 litres (388 cu.in)</p> <p>Fuel Tank Capacity 379 l (100 US gal)</p> <p>Auxiliary Brake Exhaust brake Engine Valve Brake (EVB)</p> <p>Certification OM 906 LA meets EU stage II/EPA Tier 2 emissions regulations</p> <p>TRANSMISSION</p> <p>Allison 3500PR ORS</p> <p>Layout Engine mounted</p> <p>Gear Layout Constant meshing planetary gears</p> <p>Gears Automatic: 6 Forward, 1 Reverse</p> <p>Clutch Type Hydraulically operated multidisc</p> <p>Control Type Electronic</p> <p>Torque Control Hydrodynamic, with lock-up in all gears</p> <p>TRANSFER BOX</p> <p>Bell GR 8100</p> <p>Layout Remote mounted</p> <p>Gear Layout Three in-line helical gears</p> <p>Output Differential Interaxle torque proportional, 67/33 Automatic inter axle diff lock</p>	<p>AXLES</p> <p>Bell 15T Axle housings: fabricated steel Differentials: high input limited slip Final drive: outboard planetary.</p> <p>BRAKING SYSTEM</p> <p>Service Brake Dual circuit, full hydraulic actuation Dry disc brakes with 8 calipers (4F, 2M, 2R).</p> <p>Maximum Brake Force 184 kN (41,400 lbf) with standard tyres.</p> <p>Park & Emergency Spring applied air released, driveline mounted disc</p> <p>Maximum Brake Force 195 kN (43,900 lbf)</p> <p>Auxiliary Brake Automatic exhaust brake and Engine Valve Brake (EVB). Variable Adjustable Hydraulic retarder in transmission.</p> <p>Maximum Retardation 539 kW (722 hp)</p> <p>WHEELS</p> <p>Type Radial Earthmover</p> <p>Tyre 23.5R25</p> <p>FRONT SUSPENSION</p> <p>Semi-independent, leading A-frame supported by hydro-pneumatic (oil/nitrogen) suspension struts.</p> <p>REAR SUSPENSION</p> <p>Pivoting walking beams with laminated rubber suspension blocks</p>	<p>HYDRAULIC SYSTEM</p> <p>Variable displacement with load sensing</p> <p>Flow 165 l/min (44 gal/min)</p> <p>Pressure 28 MPa (4,061 psi)</p> <p>Filter 5 microns</p> <p>STEERING SYSTEM</p> <p>Double-acting cylinders with ground driven emergency steering pump</p> <p>Lock to lock turns 4.1</p> <p>Steering Angle 45°</p> <p>DUMPING SYSTEM</p> <p>Double-acting, single stage cylinders</p> <p>Raise Time 14,5 s</p> <p>Lowering Time 7,5 s</p> <p>Tipping Angle 70°</p> <p>PNEUMATIC SYSTEM</p> <p>Air drier with heater and integral unloader valve, serving park brake and auxiliary functions.</p> <p>System Pressure 810 kPa (117 psi)</p> <p>ELECTRICAL SYSTEM</p> <p>Voltage 24 V</p> <p>Battery Type Two AGM (Absorption Glass Mat) type</p> <p>Battery Capacity 2 X 75 Ah</p> <p>Alternator Rating 28 V 80 A</p>	<p>VEHICLE SPEEDS</p> <table border="1"> <tr><td>1st</td><td>7 km/h</td><td>4 mph</td></tr> <tr><td>2nd</td><td>15 km/h</td><td>9 mph</td></tr> <tr><td>3rd</td><td>23 km/h</td><td>14 mph</td></tr> <tr><td>4th</td><td>35 km/h</td><td>22 mph</td></tr> <tr><td>5th</td><td>47 km/h</td><td>29 mph</td></tr> <tr><td>6th</td><td>50 km/h</td><td>31 mph</td></tr> <tr><td>R</td><td>7 km/h</td><td>4 mph</td></tr> </table> <p>CAB</p> <p>ROPS/FOPS certified 76 dBA internal sound level measured according to ISO 6396.</p>	1st	7 km/h	4 mph	2nd	15 km/h	9 mph	3rd	23 km/h	14 mph	4th	35 km/h	22 mph	5th	47 km/h	29 mph	6th	50 km/h	31 mph	R	7 km/h	4 mph
1st	7 km/h	4 mph																						
2nd	15 km/h	9 mph																						
3rd	23 km/h	14 mph																						
4th	35 km/h	22 mph																						
5th	47 km/h	29 mph																						
6th	50 km/h	31 mph																						
R	7 km/h	4 mph																						

Load Capacity & Ground Pressure

OPERATING WEIGHTS		GROUND PRESSURE				LOAD CAPACITY		OPTION WEIGHTS	
UNLADEN	kg (lb)	LADEN (No sinkage)		LADEN (15% sinkage)		BODY	m ³ (yd ³)		kg (lb)
Front	9,673 (21,325)	23.5R25	kPa (Psi)	23.5R25	kPa (Psi)	Struck Capacity	12 (15,7)	Bin liner	997 (2,198)
Middle	4,572 (10,080)					SAE 2:1 Capacity	15 (19,5)	Tailgate	735 (1,620)
Rear	4,518 (9,960)	Middle	344 (50)	Middle	221 (32)	SAE 1:1 Capacity	18 (23,5)	Extra wheelset	565 (1,246)
Total	18,763 (41,365)	Rear	344 (50)	Rear	221 (32)	SAE 2:1 Capacity with Autogate	15,5 (20,3)		
LADEN						Rated Payload	24,000 kg (52,911 lbs)		
Front	11,799 (26,012)								
Middle	15,528 (34,233)								
Rear	15,436 (34,031)								
Total	42,763 (94,276)								

Dimensions

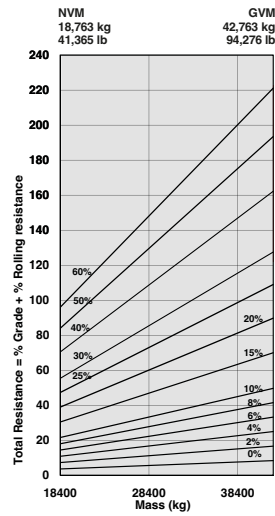


Machine Dimensions

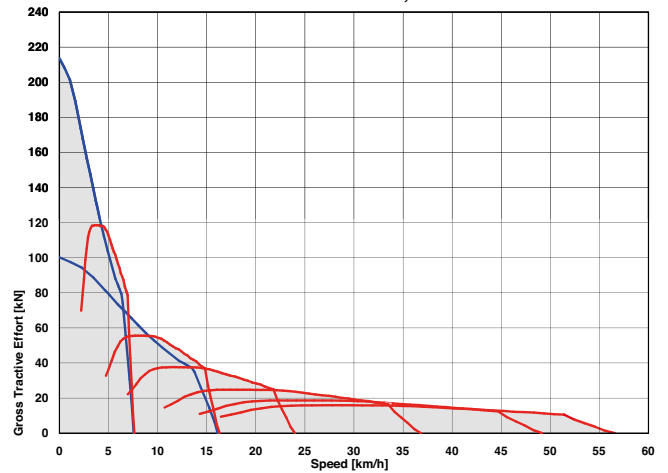
A	Length - Transport Position	9953 mm
A1	Length - Bin Fully Tipped	10324 mm
B	Height - Transport Position	3426 mm
B1	Height - Rotating Beacon	3661 mm
B2	Height - Load Light	3747 mm
B3	Bin Height - Fully Tipped	6262 mm
C	Width over Mudguards	2985 mm
D	Width over Tyres - 23.5R25	2940 mm
D1	Width over Tyres - 750/65 R25	2998 mm
E	Tyre Track Width - 23.5R25	2356 mm
E1	Tyre Track Width - 750/65 R25	2260 mm
F	Width over Bin	2700 mm
F1	Width over Tailgate	2998 mm
G	Width over Mirrors - Operating Position	3260 mm
H	Ground Clearance - Artic	537 mm
I	Ground Clearance - Front Axle	488 mm
J	Ground Clearance - Bin Fully Tipped	710 mm
K	Ground Clearance - Under Run Bar	N/A
L	Bin Lip Height - Transport Position	2176 mm
M	Bin Length	5272 mm
N	Load over Height	2763 mm
O	Rear Axle Centre to Bin Rear	1500 mm
P	Mid Axle Centre to Rear Axle Centre	1670 mm
Q	Mid Axle Centre to Front Axle Centre	4181 mm
R	Front Axle Centre to Machine Front	2602 mm
S	Front Axle Centre to Artic Centre	1362 mm
T	Approach Angle	25 °
U	Maximum Bin Tip Angle	70 °
V	Maximum Articulation Angle	45 °
W	Front Tie Down Height	1075 mm
X	Machine Lifting Centres	9477 mm
Y	Inner Turning Circle Radius - 23.5R25	4110 mm
Y1	Inner Turning Circle Radius - 750/65 R25	4081 mm
Z	Outer Turning Circle Radius - 23.5R25	8000 mm
Z1	Outer Turning Circle Radius - 750/65 R25	8029 mm

Gradeability / Rimpull

1. Determine tractive resistance by finding intersection of vehicle mass line and grade line. NOTE: 2% typical rolling resistance is already assumed in chart and grade line.
2. From this intersection, move straight left across charts until line intersects rimpull curve.
3. Read down from this point to determine maximum speed attained at that tractive resistance.

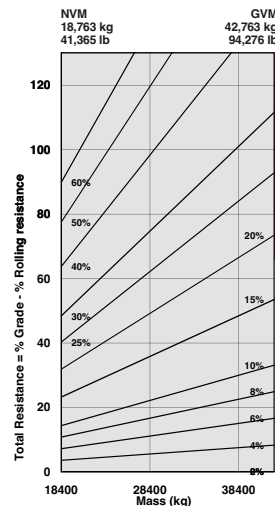


ADT, B25E 6X6 - Tractive Effort

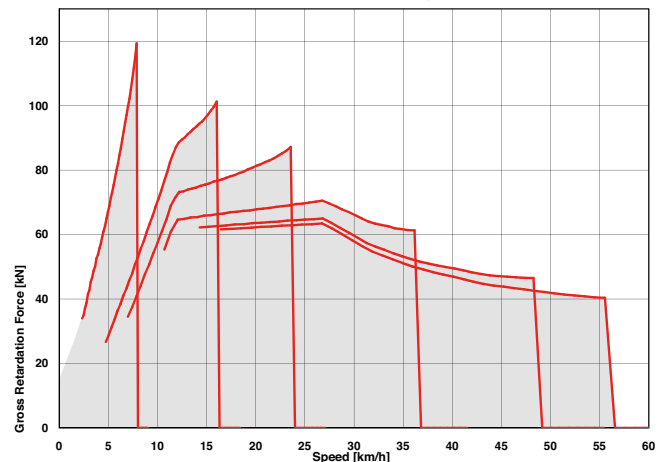


Retardation

1. Determine retardation force required by finding intersection of vehicle mass line.
2. From this intersection, move straight left across charts until line intersects the curve. NOTE: 2% typical rolling resistance is already assumed in chart.
3. Read down from this point to determine maximum speed.



ADT, B25E 6X6 - Retardation



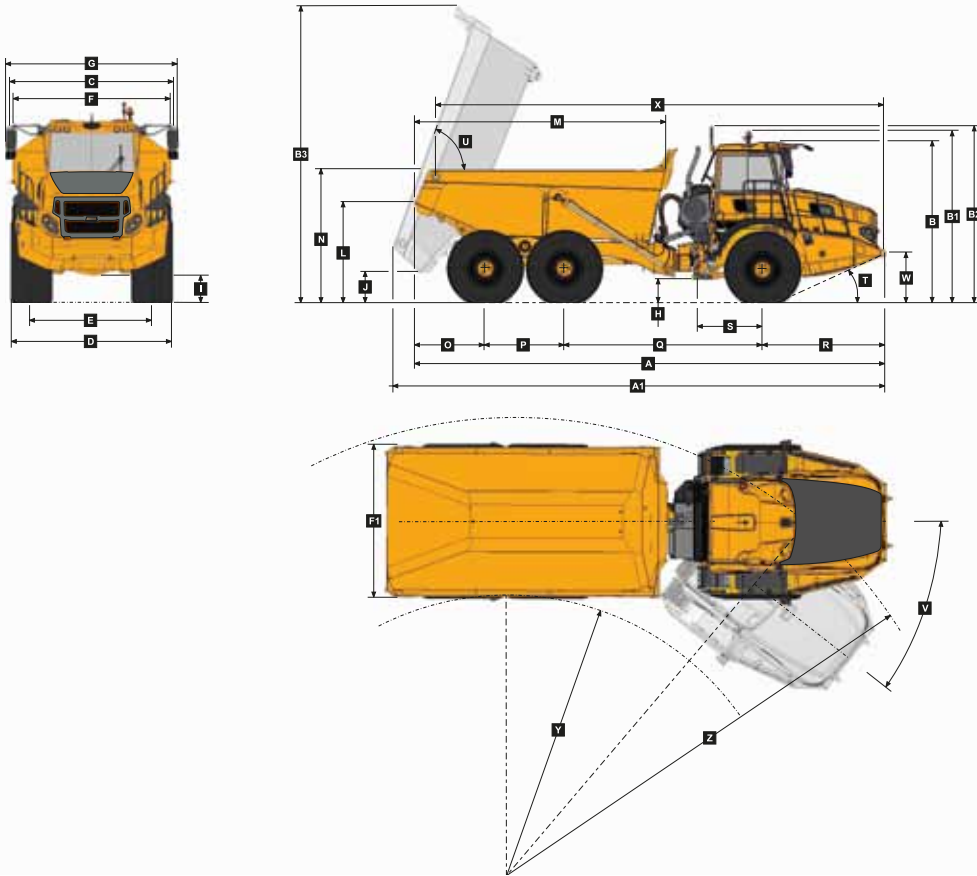
Technical Data - B30E

ENGINE Mercedes Benz OM 926 LA Gross Power 240 kW (322 hp) @ 2,200 rpm Net Power 232 kW (311 hp) @ 2,200 rpm Torque 1,300 Nm (959 lbf) @ 1,200 -1,600 rpm Displacement 7,2 litres (439 cu.in) Fuel Tank Capacity 379 l (100 US gal) Auxiliary Brake Exhaust brake Engine Valve Brake (EVB) Certification OM 926 LA meets EU stage II/EPA Tier 2 emissions regulations	AXLES Bell 18T Axle housings: fabricated steel Differentials: high input limited slip Final drive: outboard planetary. BRAKING SYSTEM Service Brake Dual circuit, full hydraulic actuation Dry disc brakes with 8 calipers (4F, 2M, 2R) Maximum Brake Force 184 kN (41,400 lbf) with standard tyres Park & Emergency Spring applied air released, driveline mounted disc Maximum Brake Force 214 kN (48,200 lbf) Auxiliary Brake Automatic exhaust brake and Engine Valve Brake (EVB). Variable Adjustable Hydraulic retarder in transmission. Maximum Retardation 554 kW (743 hp)	HYDRAULIC SYSTEM Variable displacement with load sensing Flow 165 l/min (44 gal/min) Pressure 28 MPa (4,061 psi) Filter 5 microns STEERING SYSTEM Double-acting cylinders with ground driven emergency steering pump Lock to lock turns 4.1 Steering Angle 45° DUMPING SYSTEM Double-acting, single stage cylinders Raise Time 14,5 s Lowering Time 7,5 s Tipping Angle 70° PNEUMATIC SYSTEM Air drier with heater and integral unloader valve, serving park brake and auxiliary functions. System Pressure 810 kPa (117 psi) ELECTRICAL SYSTEM Voltage 24 V Battery Type Two AGM (Absorption Glass Mat) type Battery Capacity 2 X 75 Ah Alternator Rating 28 V 80 A	VEHICLE SPEEDS <table border="1"> <tr><td>1st</td><td>7 km/h</td><td>4 mph</td></tr> <tr><td>2nd</td><td>15 km/h</td><td>9 mph</td></tr> <tr><td>3rd</td><td>23 km/h</td><td>14 mph</td></tr> <tr><td>4th</td><td>35 km/h</td><td>22 mph</td></tr> <tr><td>5th</td><td>47 km/h</td><td>29 mph</td></tr> <tr><td>6th</td><td>50 km/h</td><td>31 mph</td></tr> <tr><td>R</td><td>7 km/h</td><td>4 mph</td></tr> </table> CAB ROPS/FOPS certified 76 dBA internal sound level measured according to ISO 6396.	1st	7 km/h	4 mph	2nd	15 km/h	9 mph	3rd	23 km/h	14 mph	4th	35 km/h	22 mph	5th	47 km/h	29 mph	6th	50 km/h	31 mph	R	7 km/h	4 mph
1st	7 km/h	4 mph																						
2nd	15 km/h	9 mph																						
3rd	23 km/h	14 mph																						
4th	35 km/h	22 mph																						
5th	47 km/h	29 mph																						
6th	50 km/h	31 mph																						
R	7 km/h	4 mph																						
TRANSMISSION Allison 3500PR ORS Layout Engine mounted Gear Layout Constant meshing planetary gears Gears Automatic: 6 Forward, 1 Reverse Clutch Type Hydraulically operated multidisc Control Type Electronic Torque Control Hydrodynamic, with lock-up in all gears	WHEELS Type Radial Earthmover Tyre 23.5R25 or 750/65R25 FRONT SUSPENSION Semi-independent, leading A-frame supported by hydro-pneumatic (oil/nitrogen) suspension struts. REAR SUSPENSION Pivoting walking beams with laminated rubber suspension blocks																							
TRANSFER BOX Bell GR 10 000 Layout Remote mounted Gear Layout Three in-line helical gears Output Differential Interaxle torque proportional, 67/33 Automatic inter axle diff lock																								

Load Capacity & Ground Pressure

OPERATING WEIGHTS		GROUND PRESSURE				LOAD CAPACITY		OPTION WEIGHTS	
UNLADEN	kg (lb)	LADEN-No sinkage		LADEN-15% sinkage		BODY	m ³ (yd ³)		kg (lb)
Front	9,743 (21,480)	23.5R25	kPa (Psi)	23.5R25	kPa (Psi)	Struck Capacity	14 (18,3)	Bin liner	1,124 (2,478)
Middle	4,763 (10,501)					Front	279 (41)	Front	175 (25)
Rear	4,710 (10,384)	Middle	387 (56)	Middle	248 (36)	SAE 1:1 Capacity	21 (27,5)	Extra wheelset	565 (1,246)
Total	19,216 (42,365)					Rear	387 (56)		
LADEN									
Front	12,751 (28,111)	750/65	kPa (Psi)	750/65	kPa (Psi)	Rated Payload	28,000 kg (61,729 lbs)		
Middle	17,237 (38,001)							Front	229 (33)
Rear	17,228 (37,981)	Middle	316 (46)	Middle	212 (31)				
Total	47,216 (104,093)					Rear	316 (46)	Rear	212 (31)

Dimensions

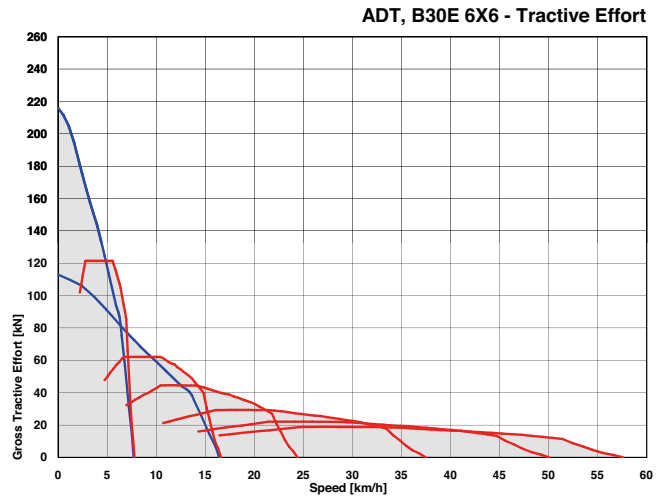
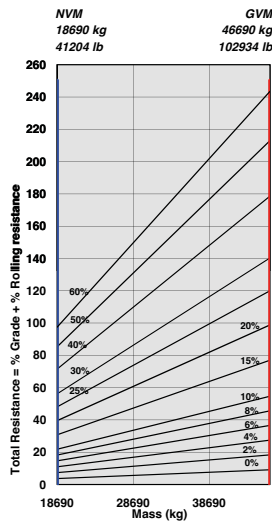


Machine Dimensions

A	Length - Transport Position	9953 mm
A1	Length - Bin Fully Tipped	10404 mm
B	Height - Transport Position	3426 mm
B1	Height - Rotating Beacon	3651 mm
B2	Height - Load Light	3747 mm
B3	Bin Height - Fully Tipped	6318 mm
C	Width over Mudguards	2985 mm
D	Width over Tyres - 23.5R25	2940 mm
D1	Width over Tyres - 750/65 R25	2998 mm
E	Tyre Track Width - 23.5R25	2356 mm
E1	Tyre Track Width - 750/65 R25	2260 mm
F	Width over Bin	2968 mm
F1	Width over Tailgate	3268 mm
G	Width over Mirrors - Operating Position	3260 mm
H	Ground Clearance - Artic	537 mm
I	Ground Clearance - Front Axle	488 mm
J	Ground Clearance - Bin Fully Tipped	710 mm
K	Ground Clearance - Under Run Bar	N/A
L	Bin Lip Height - Transport Position	2176 mm
M	Bin Length	5294 mm
N	Load over Height	2864 mm
O	Rear Axle Centre to Bin Rear	1500 mm
P	Mid Axle Centre to Rear Axle Centre	1670 mm
Q	Mid Axle Centre to Front Axle Centre	4181 mm
R	Front Axle Centre to Machine Front	2602 mm
S	Front Axle Centre to Artic Centre	1362 mm
T	Approach Angle	25 °
U	Maximum Bin Tip Angle	70 °
V	Maximum Articulation Angle	45 °
W	Front Tie Down Height	1075 mm
X	Machine Lifting Centres	9443 mm
Y	Inner Turning Circle Radius - 23.5R25	4110 mm
Y1	Inner Turning Circle Radius - 750/65 R25	4081 mm
Z	Outer Turning Circle Radius - 23.5R25	8000 mm
Z1	Outer Turning Circle Radius - 750/65 R25	8029 mm

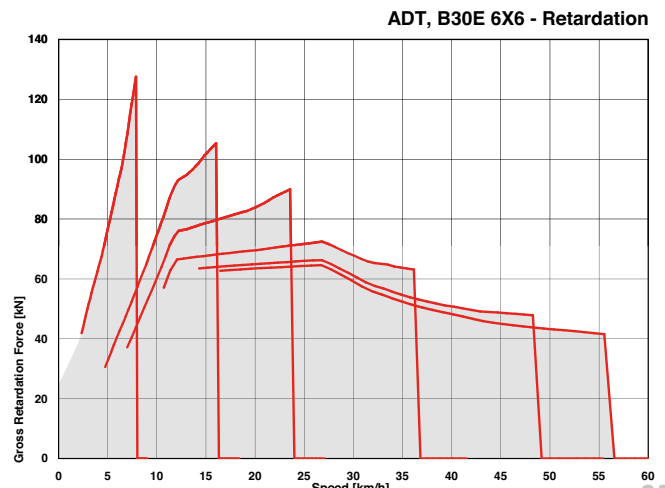
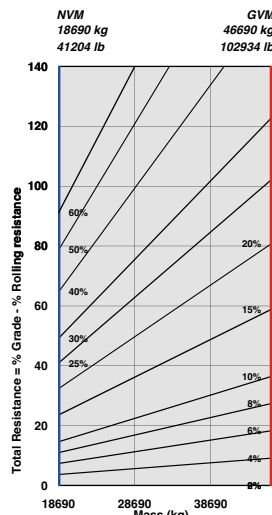
Gradeability / Rimpull

1. Determine tractive resistance by finding intersection of vehicle mass line and grade line. NOTE: 2% typical rolling resistance is already assumed in chart and grade line.
2. From this intersection, move straight left across charts until line intersects rimpull curve.
3. Read down from this point to determine maximum speed attained at that tractive resistance.



Retardation

1. Determine retardation force required by finding intersection of vehicle mass line.
2. From this intersection, move straight left across charts until line intersects the curve. NOTE: 2% typical rolling resistance is already assumed in chart.
3. Read down from this point to determine maximum speed.



Features and Options

B18E	B20E	B25E	B30E	● STANDARD	▲ OPTION
ENGINE					
●	●	●	●	Wet-sleeve cylinder liners	
●	●	●	●	Engine valve brake and exhaust brake	
●	●	●	●	Dual element air cleaner with dust ejector valve	
●	●	●	●	Precleaner	
●	●	●	●	Water separator	
●	●	●	●	Serpentine drive belt with automatic tensioner	
COOLING					
●	●	●	●	Crank-shaft mounted viscous-drive fan	
●	●	●	●	Fan guard	
PNEUMATIC SYSTEM					
●	●	●	●	Engine-mounted compressor	
●	●	●	●	Air drier with heater	
●	●	●	●	Integral unloader valve	
ELECTRICAL SYSTEM					
●	●	●	●	Battery disconnect	
●	●	●	●	Drive lights	
▲	▲	▲	▲	Deluxe work lights	
●	●	●	●	Electric hooter	
●	●	●	●	Reverse alarm	
●	●	●	●	Rotating beacon	
●	●	●	●	Pitch Roll sensor	
▲	▲	▲	▲	Artic reverse light	
STEERING SYSTEM					
●	●	●	●	Ground-driven secondary steering pump	
CAB					
●	●	●	●	ROPS/FOPS certification	
●	●	●	●	Tilt cab	
●	●	●	●	Gas strut-supported door	
●	●	●	●	I-Tip programmable dump-body tip settings	
●	●	●	●	Air conditioner	
●	●	●	●	Heater	
▲	▲	▲	▲	AM/FM radio/CD player	
●	●	●	●	Rear window guard	
●	●	●	●	Wiper/washer with intermittent control	
●	●	●	●	Tilt and telescoping steering wheel	
▲	▲	●	●	Centre-mount air-suspension seat	
▲	▲	▲	▲	LED work lights	
▲	▲	▲	▲	Rotating beacon: seat belt installation	
▲	▲	▲	▲	Remote engine and machine isolation	
▲	▲	▲	▲	Remote battery jump start	
●	●	●	●	Retractable seat belt	
●	●	●	●	Foldaway trainer seat with retractable seat belt	


B18E	B20E	B25E	B30E	● STANDARD	▲ OPTION
CAB (continued)					
●	●	●	●	12-volt power outlet	
●	●	●	●	Cup holder	
●	●	●	●	Cooled/heated lunch box	
●	●	●	●	Ashtray	
▲	▲	▲	▲	Electric adjustable and heated mirrors	
●	●	●	●	Deluxe 10" colour LCD:	
				Speedometer / Fuel gauge /	
				Transmission oil temperature gauge /	
				Engine coolant temperature gauge /	
				LED function/warning indicators and audible	
				alarm / Transmission gear selection /	
				Tachometer / Battery voltage / Hour meter /	
				Odometer / Fuel consumption / Tip counter /	
				Trip timer / Trip distance / Metric/English units /	
				Service codes/diagnostics	
●	●	●	●	Backlit sealed switch module functions with:	
				Wiper control / Lights / Heated mirrors /	
				Retarding aggressiveness / Transfer case	
				differential lock / Transmission gear hold /	
				Dump-body tip limit / Automatic dump-body	
				tip settings / Airconditioner/ Heater controls /	
				Preselected Speed Control	
DUMP BODY					
▲	▲	●	●	Dump-body mechanical lock	
▲	▲	▲	▲	Body liner	
▲	▲	▲	▲	Tailgate	
▲	▲	▲	▲	Body heater	
▲	▲	▲	▲	Less dump body and cylinders	
OTHER					
●	●	●	●	20.5R25 radial earthmover tyres	
●	●	●	●	23.5R25 radial earthmover tyres	
●	●	●	▲	750/65R25 radial earthmover tyres	
●	●	●	●	Remote grease banks	
▲	▲	▲	▲	Automatic greasing	
●	●	●	●	Onboard weighing	
▲	▲	▲	▲	Load lights: stack	
▲	▲	▲	▲	Comfort ride suspension	
▲	▲	▲	▲	Reverse camera	
●	●	●	●	Hand rails	
●	●	●	●	Cab peak	
▲	▲	▲	▲	Deluxe bonnet	
▲	▲	▲	▲	High pressure hydraulic filter	
▲	▲	▲	▲	Fuel heater	
▲	▲	▲	▲	Belly cover	
▲	▲	▲	▲	Cross member cover	


All dimensions are shown in millimetres, unless otherwise stated between brackets. Under our policy of continuous improvement, we reserve the right to change technical data and design without prior notice. Photographs featured in this brochure may include optional equipment.


BELL INTERNATIONAL: Tel: +27 (0)35-907 9431

E-mail: marketing@bellequipment.com


Web: www.bellequipment.com


 Tel: +61 (0)8-9356 1033


 Tel: +33 (0)5-55-89-23-56


 Tel: +49 (0)6631 / 91-13-0

 Tel: +7 495-287-80-02

 Tel: +27 (0)11-928-9700

 Tel: +34-91-879-60-19

 Tel: +44 (0)1283-712862

 Tel: +1-855-494-2355

**Strong Reliable Machines
Strong Reliable Support**

BELL