

KOMATSU®

HORSEPOWER
Gross:323 kW 433 HP @ 1800 rpm
Net:320 kW 429 HP @ 1800 rpm

OPERATING WEIGHT
Backhoe:57300-60000 kg
126,320-132,280 lb
Loading shovel:61300-62300 kg
135,140-137,350 lb

PC600/600LC-8 BACKHOE PC600/600LC-8 LOADING SHOVEL

ecot3

PC
600



Photo may include optional equipment.

HYDRAULIC EXCAVATOR

LUXTON
PLANT

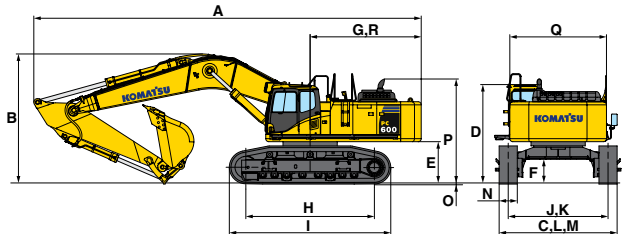
RENTAL



DIMENSIONS

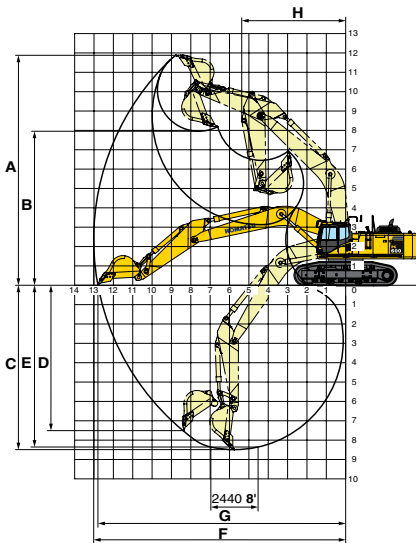
	Boom	7660 mm 25'2"	7660 mm 25'2"	7660 mm 25'2"	7300 mm 23'11"	6600 mm 21'8"
	Arm	3500 mm 11'6"	4300 mm 14'1"	5200 mm 17'1"	3500 mm 11'6"	2900 mm 9'6"
A	Overall length	12910 mm 42'4"	12830 mm 42'1"	12535 mm 41'2"	12540 mm 41'2"	11930 mm 39'2"
B	Overall height (to top of boom)	4300 mm 14'1"	4655 mm 15'3"	5235 mm 17'2"	4280 mm 14'1"	4600 mm 15'1"

		PC600-8	PC600LC-8
C	Overall width	3900 mm 12'10"	3900 mm 12'10"
D	Overall height (to top of cab)	3280 mm 10'9"	3280 mm 10'9"
E	Ground clearance, counterweight	1365 mm 4'6"	1365 mm 4'6"
F	Ground clearance (minimum)	780 mm 2'7"	780 mm 2'7"
G	Tail swing radius	3900 mm 12'10"	3900 mm 12'10"
H	Track length on ground	4250 mm 13'11"	4600 mm 15'1"
I	Track length	5340 mm 17'6"	5690 mm 18'8"
J	Track gauge	2590 mm 8'6"	2590 mm 8'6"
K	Track gauge when expanded	3300 mm 10'10"	3300 mm 10'10"
L	Width of crawler	3190 mm 10'6"	3190 mm 10'6"
M	Width of crawler when expanded	3900 mm 12'10"	3900 mm 12'10"
N	Shoe width	600 mm 24"	600 mm 24"
O	Grouser height	37 mm 1.5"	37 mm 1.5"
P	Machine cab height	3435 mm 11'3"	3435 mm 11'3"
Q	Machine cab width	3195 mm 10'6"	3195 mm 10'6"
R	Distance, swing center to rear end	3775 mm 12'5"	3775 mm 12'5"



WORKING RANGE

Unit: mm ft in



	Boom	7660 25'2"	7660 25'2"	7660 25'2"	7300 23'11"	6600 21'8"
	Arm	3500 11'6"	4300 14'1"	5200 17'1"	3500 11'6"	2900 9'6"
A	Max. digging height	11880 39'0"	12180 40'0"	12560 41'3"	11475 37'8"	11140 36'7"
B	Max. dumping height	7960 26'1"	8245 27'1"	8600 28'3"	7650 25'1"	7210 23'8"
C	Max. digging depth	8490 27'10"	9275 30'5"	10225 33'7"	8165 26'9"	7060 23'2"
D	Max. vertical wall digging depth	7510 24'8"	8375 27'6"	9275 30'5"	6660 21'10"	5630 18'6"
E	Max. digging depth of cut for 8' level	8360 27'5"	9175 30'1"	10125 33'3"	8030 26'4"	6910 22'8"
F	Max. digging reach	13020 42'9"	13740 45'1"	14630 48'0"	12615 41'5"	11550 37'11"
G	Max. digging reach at ground level	12800 42'0"	13555 44'6"	14435 47'4"	12385 40'8"	11300 37'1"
H	Min. swing radius	5370 17'7"	5385 17'8"	5510 18'1"	5090 16'8"	4670 15'4"
	Bucket digging force (SAE)	264 kN 26900 kgf 59,300 lb				289 kN 29500 kgf 65,040 lb
	Bucket digging force at power max. (SAE)	285 kN 29100 kgf 64,150 lbf				312 kN 31770 kgf 70,040 lb
	Arm crowd force (SAE)	222 kN 22600 kgf 49,820 lb	194 kN 19800 kgf 43,650 lb	170 kN 17300 kgf 38,140 lb	222 kN 22600 kgf 49,820 lb	260 kN 26500 kgf 58,420 lb
	Arm crowd force at power max (SAE)	238 kN 24300 kgf 53,570 lb	209 kN 21300 kgf 46,960 lb	182 kN 18600 kgf 41,010 lb	238 kN 24300 kgf 53,570 lb	280 kN 28500 kgf 62,830 lb
	Bucket digging force (ISO)	294 kN 30000 kgf 66,140 lb				336 kN 34300 kgf 75,620 lb
	Bucket digging force at power max. (ISO)	317 kN 32300 kgf 71,210 lb				362 kN 36900 kgf 81,350 lb
	Arm crowd force (ISO)	228 kN 23300 kgf 51,370 lb	202 kN 20600 kgf 45,410 lb	176 kN 17900 kgf 39,460 lb	228 kN 23300 kgf 51,370 lb	272 kN 27700 kgf 61,070 lb
	Arm crowd force at power max (ISO)	246 kN 25100 kgf 55,340 lb	218 kN 22200 kgf 48,940 lb	189 kN 19300 kgf 42,550 lb	246 kN 25100 kgf 55,340 lb	293 kN 29900 kgf 65,920 lb



BACKHOE BUCKET AND ARM COMBINATION

BUCKET CAPACITY (HEAPED)				WIDTH				WEIGHT (with side cutters) kg lb	TOOTH	ARM LENGTH			
SAE, PCSA m ³ yd ³		CECE m ³ yd ³		With Side shrouds, Side cutters mm in		Without Side shrouds, Side cutters mm in				m	ft	in	
use with 7.66m 25'2" boom													
2.0	2.62	1.8	2.35	1430	56.3"	1250	49.2"	2130	4,700	KMAX	○	○	○
2.3	3.01	2.1	2.75	1580	62.2"	1400	55.1"	2260	4,980	KMAX	○	□	—
2.7	3.53	2.4	3.14	1780	70.1"	1600	63.0"	2430	5,360	KMAX	○	—	—
use with 7.3m 23'11" HD boom													
3.5 11'6" HD arm													
2.8	3.66	2.5	3.27	1920	75.6" *	1920	75.6" *	3100	6,830	KMAX	○		
3.1	4.05	2.8	3.66	2040	80.3" *	2040	80.3" *	3210	7,080	KMAX	○	**	
use with 6.6m 21'8" SE boom													
2.9 9'6" SE arm													
3.5	4.58	3.1	4.05	2110	83.1" *	2110	83.1" *	3280	7,230	KMAX	○		

These charts are based on over-side stability with fully loaded bucket at maximum reach.

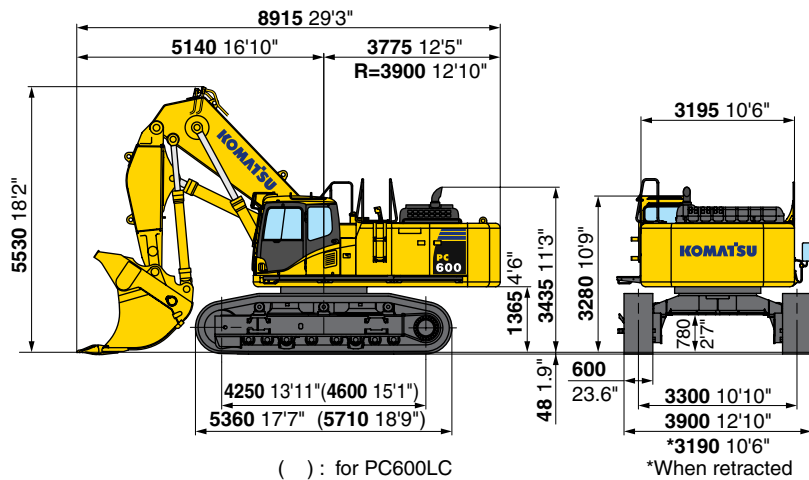
○ : General purpose use, density up to 1.8 t/m³ 3,000 lb/yd³ □ : General purpose use, density up to 1.5 t/m³ 2,500 lb/yd³

— : Not useable

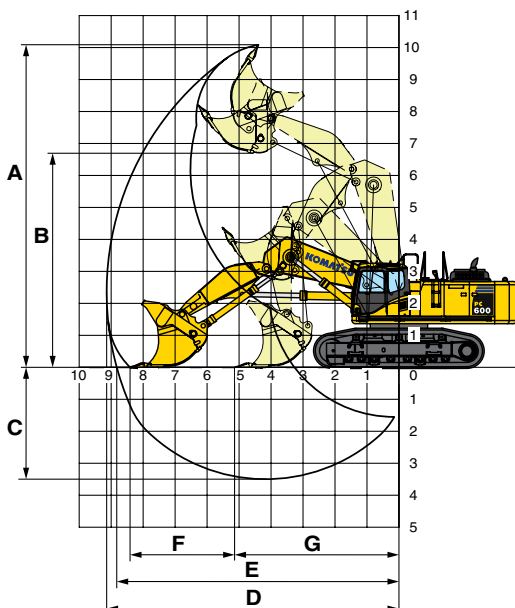
* : Bucket lip width ** : Available only to LC crawler



LOADING SHOVEL DIMENSIONS



LOADING SHOVEL WORKING RANGE AND BUCKET SELECTION



Working Range

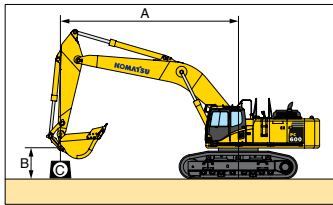
Type of bucket	Bottom dump	
Capacity-heaped	4.0 m ³	5.2 yd ³
A Max. cutting height	10090 mm	33'1"
B Max. dumping height	6705 mm	22'0"
C Max. digging depth	3495 mm	11'6"
D Max. digging reach	9190 mm	30'2"
E Max. digging reach at ground level	8850 mm	29'0"
F Level crowding distance	3275 mm	10'9"
G Min. crowd distance	5135 mm	16'10"
Bucket digging force	386 kN	39400 kg 86,860 lb
Arm crowd force	338 kN	34500 kg 76,660 lb

Bucket Selection

Type of bucket	Bottom dump	
Capacity-heaped	4.0 m ³	5.2 yd ³
Width	2090 mm	82.3"
Weight	5700 kg	12,570 lb
No. of bucket teeth	6	
Recommended uses	General-purpose digging and loading	



LIFTING CAPACITY



PC600-8

- A: Reach from swing center
- B: Bucket hook height
- C: Lifting capacity
- Cf: Rating over front
- Cs: Rating over side
- ☉: Rating at maximum reach

Boom : 7.66m 25'2", Arm : 3.5m 11'6", Bucket : 2.7m³ 3.53cu.yd, Shoes : 600mm 24" triple, L MODE: "OFF"

unit: kg lb

B	A	☉ MAX		9.1m 30'		7.6m 25'		6.1m 20'		4.6m 15'		3.0m 10'	
		Cf	Cs	Cf	Cs	Cf	Cs	Cf	Cs	Cf	Cs	Cf	Cs
9.1m 30'		*6950 *15,300	*6950 *15,300										
7.6m 25'		*6750 *14,900	*6750 *14,900	*9350 *20,700	*9350 *20,700								
6.1m 20'		*6850 *15,100	*6850 *15,100	*9800 *21,600	*9700 21,400	*10950 *24,100	*10950 *24,100						
4.6m 15'		*7100 *15,600	6500 14,300	*10450 *23,100	9300 20,600	*12150 *26,800	*12150 *26,800	*15000 *33,100	*15000 *33,100	*20250 *44,600	*20250 *44,600		
3.0m 10'		*7550 *16,700	6050 13,400	*11200 *24,700	8900 19,600	*13500 *29,700	12100 26,700	*17100 *37,700	17050 37,600				
1.5m 5'		7950 17,600	5900 13,100	11250 24,800	8500 18,700	*14600 *32,100	11450 25,200	*19050 *42,000	16150 35,600	*14050 *31,000	*14050 *31,000		
0m 0'		8100 17,900	6000 13,300	10900 24,100	8150 18,000	14500 32,000	10850 23,900	*19850 *43,700	15450 34,100	*16550 *36,400	*16550 *36,400		
-1.5m -5'		8650 19,100	6400 14,200	10750 23,700	8000 17,700	14100 31,100	10450 23,000	*19650 *43,300	15200 33,500	*22300 *49,200	*22300 *49,200	*12250 *27,000	*12250 *27,000
-3.0m -10'		9750 21,500	7250 16,000	10750 23,700	8050 17,700	14200 31,300	10550 23,200	*18550 *40,900	15250 33,600	*24150 *53,300	*24150 *53,300	*19450 *42,900	*19450 *42,900
-4.6m -15'		*10150 *22,400	8850 19,600			*12650 *27,900	10900 24,000	*16300 *35,900	15550 34,300	*20850 *46,000	*20850 *46,000	*26900 *59,400	*26900 *59,400
-6.1m -20'		*9550 *21,000	*9550 *21,000					*11950 *26,300	*11950 *26,300	*15700 *34,700	*15700 *34,700		

Boom : 7.66m 25'2", Arm : 3.5m 11'6", Bucket : 2.7m³ 3.53cu.yd, Shoes : 600mm 24" triple, L MODE: "ON"

unit: kg lb

B	A	☉ MAX		9.1m 30'		7.6m 25'		6.1m 20'		4.6m 15'		3.0m 10'	
		Cf	Cs	Cf	Cs	Cf	Cs	Cf	Cs	Cf	Cs	Cf	Cs
9.1m 30'		*8600 *18,900	*8600 *18,900										
7.6m 25'		*8350 *18,400	*8350 *18,400	*11800 *26,100	9900 21,900								
6.1m 20'		*8450 *18,600	7200 15,900	*12350 *27,200	9700 21,400	*13650 *30,100	13600 30,000						
4.6m 15'		8600 18,900	6500 14,300	12100 26,700	9300 20,600	*15200 *33,500	12900 28,400	*18600 *41,000	*18600 *41,000	*24900 *54,900	*24900 *54,900		
3.0m 10'		8100 17,900	6050 13,400	11650 25,700	8900 19,600	15900 35,000	12100 26,700	*21300 *46,900	17050 37,600				
1.5m 5'		7950 17,600	5900 13,100	11250 24,800	8500 18,700	15150 33,400	11450 25,200	21700 47,900	16150 35,600	*16900 *37,300	*16900 *37,300		
0m 0'		8100 17,900	6000 13,300	10900 24,100	8150 18,000	14500 32,000	10850 23,900	20950 46,200	15450 34,100	*19800 *43,600	*19800 *43,600		
-1.5m -5'		8650 19,100	6400 14,200	10750 23,700	8000 17,700	14100 31,100	10450 23,000	20650 45,600	15200 33,500	*26550 *58,500	24650 54,300	*14750 *32,600	*14750 *32,600
-3.0m -10'		9750 21,500	7250 16,000	10750 23,700	8050 17,700	14200 31,300	10550 23,200	20700 45,700	15250 33,600	*30150 *66,500	24950 55,000	*23200 *51,200	*23200 *51,200
-4.6m -15'		11800 26,100	8850 19,600			14550 32,100	10900 24,000	*20550 *45,300	15550 34,300	*26200 *57,800	25550 56,300	*33300 *73,400	*33300 *73,400
-6.1m -20'		*12400 *27,300	*12400 *27,300					*15400 *34,000	*15400 *34,000	*20100 *44,300	*20100 *44,300		

Boom : 7.3m 23'11", Arm : 3.5m 11'6", Bucket : 2.8m³ 3.66cu.yd, Shoes : 600mm 24" triple, L MODE: "OFF"

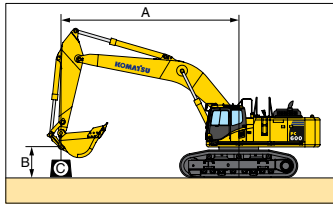
unit: kg lb

B	A	☉ MAX		9.1m 30'		7.6m 25'		6.1m 20'		4.6m 15'		3.0m 10'	
		Cf	Cs	Cf	Cs	Cf	Cs	Cf	Cs	Cf	Cs	Cf	Cs
9.1m 30'		*6500 *14,400	*6500 *14,400										
7.6m 25'		*6300 *13,900	*6300 *13,900	*7700 *17,000	*7700 *17,000								
6.1m 20'		*6350 *14,000	*6350 *14,000	*9650 *21,300	9300 20,600	*10700 *23,600	*10700 *23,600						
4.6m 15'		*6650 *14,700	6650 14,600	*10250 *22,700	9000 19,900	*11900 *26,200	*11900 *26,200	*14550 *32,100	*14550 *32,100				
3.0m 10'		*7150 *15,800	6200 13,600	*11000 *24,200	8600 19,000	*13200 *29,100	11950 26,300	*16900 *37,200	*16900 *37,200	*24200 *53,300	*24200 *53,300		
1.5m 5'		*7950 *17,600	6050 13,300	11000 24,200	8200 18,100	*14300 *31,500	11250 24,800	*18700 *41,300	16200 35,700	*20750 *45,800	*20750 *45,800		
0m 0'		8400 18,500	6150 13,600	10700 23,600	7950 17,500	14500 31,900	10750 23,800	*19600 *43,200	15400 34,000	*21300 *47,000	*21300 *47,000		
-1.5m -5'		9000 19,900	6650 14,600	10500 23,200	7800 17,100	14150 31,200	10450 23,100	*19450 *42,900	15100 33,300	*26400 *58,200	24650 54,300	*14350 *31,700	*14350 *31,700
-3.0m -10'		10300 22,700	7600 16,800	10550 23,300	7850 17,300	*14100 *31,000	10500 23,200	*18250 *40,300	15150 33,400	*24150 *53,300	*24150 *53,300	*21900 *48,300	*21900 *48,300
-4.6m -15'		*10350 *22,800	9600 21,200			*11850 *26,100	10750 23,700	*15750 *34,700	15450 34,100	*20500 *45,200	*20500 *45,200	*26950 *59,400	*26950 *59,400
-6.1m -20'		*9500 *20,900	*9500 *20,900					*10800 *23,800	*10800 *23,800	*14500 *32,000	*14500 *32,000		

*Load is limited by hydraulic capacity rather than tipping. Ratings are based on SAE standard NO. J1097. Rated loads do not exceed 87% of hydraulic lift capacity or 75% of tipping load.



LIFTING CAPACITY



PC600-8

- A: Reach from swing center
- B: Bucket hook height
- C: Lifting capacity
- Cf: Rating over front
- Cs: Rating over side
- ⊗: Rating at maximum reach

Boom : 7.3m 23'11", Arm : 3.5m 11'6", Bucket : 2.8m³ 3.66cu.yd, Shoes : 600mm 24" triple, L MODE: "ON"

unit: kg lb

B	A	⊗ MAX		9.1m 30'		7.6m 25'		6.1m 20'		4.6m 15'		3.0m 10'	
		Cf	Cs	Cf	Cs	Cf	Cs	Cf	Cs	Cf	Cs	Cf	Cs
9.1m 30'		*8150 *18,000	*8150 *18,000										
7.6m 25'		*7900 *17,400	*7900 *17,400	*9550 *21,100	9450 20,800								
6.1m 20'		*7950 *17,600	7450 16,500	12150 26,800	9300 20,600	*13450 *29,600	13350 29,400						
4.6m 15'		*8300 *18,300	6650 14,600	11800 26,000	9000 19,900	*14950 *32,900	12700 28,000	*18050 *39,800	*18050 *39,800				
3.0m 10'		8350 18,400	6200 13,600	11400 25,100	8600 19,000	15700 34,700	11950 26,300	*21000 *46,300	17400 38,300	*29850 *65,800	27900 61,500		
1.5m 5'		8200 18,100	6050 13,300	11000 24,200	8200 18,100	15000 33,100	11250 24,800	21800 48,000	16200 35,700	*24850 *54,700	*24850 *54,700		
0m 0'		8400 18,500	6150 13,600	10700 23,600	7950 17,500	14500 31,900	10750 23,800	20950 46,200	15400 34,000	*25450 *56,100	24800 54,700		
-1.5m -5'		9000 19,900	6650 14,600	10500 23,200	7800 17,100	14150 31,200	10450 23,100	20600 45,400	15100 33,300	*32000 *70,500	24650 54,300	*17300 *38,200	*17300 *38,200
-3.0m -10'		10300 22,700	7600 16,800	10550 23,300	7850 17,300	14200 31,300	10500 23,200	20650 45,500	15150 33,400	*30200 *66,500	24900 54,900	*26150 *57,600	*26150 *57,600
-4.6m -15'		12900 28,400	9600 21,200			14450 31,900	10750 23,700	*19900 *43,900	15450 34,100	*25800 *56,900	25550 56,300	*33950 *74,800	*33950 *74,800
-6.1m -20'		*12450 *27,400	*12450 *27,400					*14050 *30,900	*14050 *30,900	*18650 *41,200	*18650 *41,200		

Boom : 6.6m 21'8", Arm : 2.9m 9'6", Bucket : 3.5m³ 4.58cu.yd, Shoes : 600mm 24" triple, L MODE: "OFF"

unit: kg lb

B	A	⊗ MAX		9.1m 30'		7.6m 25'		6.1m 20'		4.6m 15'		3.0m 10'	
		Cf	Cs	Cf	Cs	Cf	Cs	Cf	Cs	Cf	Cs	Cf	Cs
9.1m 30'		*9700 *21,400	*9700 *21,400										
7.6m 25'		*9050 *20,000	*9050 *20,000			*11550 *25,400	*11550 *25,400						
6.1m 20'		*8950 *19,700	*8950 *19,700			*11950 *26,400	*11950 *26,400						
4.6m 15'		*9200 *20,300	8200 18,100	*11350 *25,000	8900 19,600	*12900 *28,500	12700 28,000	*15500 *34,200	*15500 *34,200	*20300 *44,800	*20300 *44,800		
3.0m 10'		*9800 *21,600	7600 16,800	11400 25,100	8600 18,900	*14000 *30,900	12000 26,500	*17650 *38,900	17600 38,800	*24700 *54,500	*24700 *54,500		
1.5m 5'		9950 22,000	7400 16,400	11050 24,400	8300 18,300	*14900 *32,900	11400 25,100	*19000 *41,800	16050 35,400	*27350 *60,300	26200 57,700		
0m 0'		10300 22,700	7650 16,900	10850 23,900	8050 17,800	14700 32,400	10950 24,200	*19900 *43,900	15700 34,600	*27600 *60,800	25250 55,700		
-1.5m -5'		11300 24,900	8400 18,500			14500 32,000	10800 23,800	*19350 *42,700	15450 34,000	*26100 *57,500	25100 55,400	*19300 *42,600	*19300 *42,600
-3.0m -10'		*11500 *25,400	10050 22,100			*12850 *28,400	10900 24,100	*16800 *37,100	14950 33,000	*22950 *50,600	*22950 *50,600	*30500 *67,200	*30500 *67,200
-4.6m -15'		*10650 *23,500	*10650 *23,500					*12900 *28,500	*12900 *28,500	*17500 *38,500	*17500 *38,500	*22300 *49,100	*22300 *49,100

Boom : 6.6m 21'8", Arm : 2.9m 9'6", Bucket : 3.5m³ 4.58cu.yd, Shoes : 600mm 24" triple, L MODE: "ON"

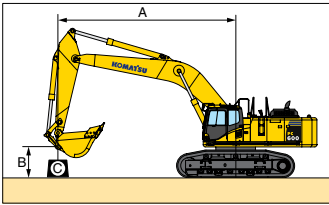
unit: kg lb

B	A	⊗ MAX		9.1m 30'		7.6m 25'		6.1m 20'		4.6m 15'		3.0m 10'	
		Cf	Cs	Cf	Cs	Cf	Cs	Cf	Cs	Cf	Cs	Cf	Cs
9.1m 30'		*11850 *26,100	*11850 *26,100										
7.6m 25'		*11100 *24,500	*11100 *24,500			*14400 *31,800	13400 29,600						
6.1m 20'		*10950 *24,200	9400 20,700			*14950 *32,900	13200 29,100						
4.6m 15'		10850 24,000	8200 18,100	11700 25,800	8900 19,600	*16150 *35,600	12700 28,000	*19200 *42,300	18950 41,700	*24900 *54,800	*24900 *54,800		
3.0m 10'		10150 22,400	7600 16,800	11400 25,100	8600 18,900	15800 34,900	12000 26,500	*21850 *48,200	17600 38,800	*30400 *67,100	28400 62,700		
1.5m 5'		9950 22,000	7400 16,400	11050 24,400	8300 18,300	15150 33,400	11400 25,100	21700 47,800	16050 35,400	*33750 *74,400	26200 57,700		
0m 0'		10300 22,700	7650 16,900	10850 23,900	8050 17,800	14700 32,400	10950 24,200	21300 46,900	15700 34,600	*34200 *75,300	25250 55,700		
-1.5m -5'		11300 24,900	8400 18,500			14500 32,000	10800 23,800	21000 46,300	15450 34,000	*32450 *71,500	25100 55,400	*23100 *50,900	*23100 *50,900
-3.0m -10'		13450 29,600	10050 22,100			14650 32,300	10900 24,100	20450 45,100	14950 33,000	*28700 *63,300	25500 56,200	*36700 *80,900	*36700 *80,900
-4.6m -15'		*13800 *30,400	*13750 30,400					*16550 *36,500	16150 35,600	*22200 *48,900	*22200 *48,900	*28350 *62,600	*28350 *62,600

*Load is limited by hydraulic capacity rather than tipping. Ratings are based on SAE standard NO. J1097. Rated loads do not exceed 87% of hydraulic lift capacity or 75% of tipping load.



LIFTING CAPACITY



PC600LC-8

- A: Reach from swing center
- B: Bucket hook height
- C: Lifting capacity
- Cf: Rating over front
- Cs: Rating over side
- ⊗: Rating at maximum reach

Boom : 7.66m 25'2", Arm : 3.5m 11'6", Bucket : 2.7m³ 3.53cu.yd, Shoes : 600mm 24" triple, L MODE: "OFF"

unit: kg lb

B	A	⊗ MAX		9.1m 30'		7.6m 25'		6.1m 20'		4.6m 15'		3.0m 10'	
		Cf	Cs	Cf	Cs	Cf	Cs	Cf	Cs	Cf	Cs	Cf	Cs
9.1m	30'	*6950	*6950										
		*15,300	*15,300										
7.6m	25'	*6750	*6750	*9350	*9350								
		*14,900	*14,900	*20,700	*20,700								
6.1m	20'	*6850	*6850	*9800	*9800	*10950	*10950						
		*15,100	*15,100	*21,600	*21,600	*24,100	*24,100						
4.6m	15'	*7100	6600	*10450	9500	*12150	*12150	*15000	*15000	*20250	*20250		
		*15,600	14,600	*23,100	20,900	*26,800	*26,800	*33,100	*33,100	*44,600	*44,600		
3.0m	10'	*7550	6200	*11200	9050	*13500	12350	*17100	*17100				
		*16,700	13,700	*24,700	20,000	*29,700	27,200	*37,700	*37,700				
1.5m	5'	*8300	6050	*11850	8650	*14600	11650	*19050	16450	*14050	*14050		
		*18,300	13,400	*26,200	19,100	*32,100	25,700	*42,000	36,300	*31,000	*31,000		
0m	0'	9350	6150	*12250	8350	*15100	11050	*19850	15750	*16550	*16550		
		20,600	13,600	*27,000	18,400	*33,300	24,400	*43,700	34,800	*36,400	*36,400		
-1.5m	-5'	9950	6550	*12150	8200	*15000	10650	*19650	15500	*22300	*22300	*12250	*12250
		22,000	14,500	*26,800	18,100	*33,100	23,500	*43,300	34,100	*49,200	*49,200	*27,000	*27,000
-3.0m	-10'	*10150	7400	*11400	8200	*14350	10750	*18550	15550	*24150	*24150	*19450	*19450
		*22,400	16,400	*25,100	18,100	*31,700	23,700	*40,900	34,200	*53,300	*53,300	*42,900	*42,900
-4.6m	-15'	*10150	9050			*12650	11100	*16300	15850	*20850	*20850	*26900	*26900
		*22,400	20,000			*27,900	24,500	*35,900	34,900	*46,000	*46,000	*59,400	*59,400
-6.1m	-20'	*9550	*9550					*11950	*11950	*15700	*15700		
		*21,000	*21,000					*26,300	*26,300	*34,700	*34,700		

Boom : 7.66m 25'2", Arm : 3.5m 11'6", Bucket : 2.7m³ 3.53cu.yd, Shoes : 600mm 24" triple, L MODE: "ON"

unit: kg lb

B	A	⊗ MAX		9.1m 30'		7.6m 25'		6.1m 20'		4.6m 15'		3.0m 10'	
		Cf	Cs	Cf	Cs	Cf	Cs	Cf	Cs	Cf	Cs	Cf	Cs
9.1m	30'	*8600	*8600										
		*18,900	*18,900										
7.6m	25'	*8350	*8350	*11800	10100								
		*18,400	*18,400	*26,100	22,300								
6.1m	20'	*8450	7350	*12350	9850	*13650	*13650						
		*18,600	16,200	*27,200	21,800	*30,100	*30,100						
4.6m	15'	*8750	6600	*13200	9500	*15200	13100	*18600	*18600	*24900	*24900		
		*19,300	14,600	*29,100	20,900	*33,500	28,900	*41,000	*41,000	*54,900	*54,900		
3.0m	10'	*9300	6200	*13300	9050	*16850	12350	*21300	17350				
		*20,500	13,700	29,400	20,000	*37,200	27,200	*46,900	38,300				
1.5m	5'	*9150	6050	12900	8650	17400	11650	*23700	16450	*16900	*16900		
		*20,200	13,400	28,400	19,100	38,300	25,700	*52,300	36,300	*37,300	*37,300		
0m	0'	9350	6150	12550	8350	16700	11050	24350	15750	*19800	*19800		
		20,600	13,600	27,700	18,400	36,900	24,400	53,700	34,800	*43,600	*43,600		
-1.5m	-5'	9950	6550	12350	8200	16300	10650	24050	15500	*26550	25100	*14750	*14750
		22,000	14,500	27,300	18,100	35,900	23,500	53,000	34,100	*58,500	55,300	*32,600	*32,600
-3.0m	-10'	*11200	7400	12400	8200	16400	10750	*23200	15550	*30150	25400	*23200	*23200
		*24,700	16,400	27,300	18,100	36,100	23,700	*51,200	34,200	*66,500	56,000	*51,200	*51,200
-4.6m	-15'	*13000	9050			*16100	11100	*20550	15850	*26200	26000	*33300	*33300
		*28,700	20,000			*35,500	24,500	*45,300	34,900	*57,800	57,300	*73,400	*73,400
-6.1m	-20'	*12400	*12400					*15400	*15400	*20100	*20100		
		*27,300	*27,300					*34,000	*34,000	*44,300	*44,300		

Boom : 7.3m 23'11", Arm : 3.5m 11'6", Bucket : 2.8m³ 3.66cu.yd, Shoes : 600mm 24" triple, L MODE: "OFF"

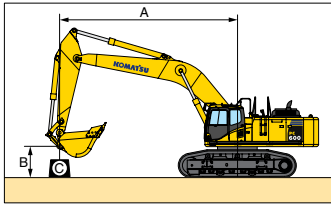
unit: kg lb

B	A	⊗ MAX		9.1m 30'		7.6m 25'		6.1m 20'		4.6m 15'		3.0m 10'	
		Cf	Cs	Cf	Cs	Cf	Cs	Cf	Cs	Cf	Cs	Cf	Cs
9.1m	30'	*6500	*6500										
		*14,400	*14,400										
7.6m	25'	*6300	*6300	*7700	*7700								
		*13,900	*13,900	*17,000	*17,000								
6.1m	20'	*6350	*6350	*9650	9500	*10700	*10700						
		*14,000	*14,000	*21,300	20,900	*23,600	*23,600						
4.6m	15'	*6650	*6650	*10250	9200	*11900	*11900	*14550	*14550				
		*14,700	*14,700	*22,700	20,200	*26,200	*26,200	*32,100	*32,100				
3.0m	10'	*7150	6350	*11000	8800	*13200	12150	*16900	*16900	*24200	*24200		
		*15,800	14,000	*24,200	19,400	*29,100	26,800	*37,200	*37,200	*53,300	*53,300		
1.5m	5'	*7950	6150	*11600	8400	*14300	11500	*18700	16500	*20750	*20750		
		*17,600	13,600	*25,600	18,500	*31,500	25,300	*41,300	36,300	*45,800	*45,800		
0m	0'	*9200	6300	*11950	8100	*14950	11000	*19600	15700	*21300	*21300		
		*20,300	13,900	*26,400	17,900	*33,000	24,200	*43,200	34,700	*47,000	*47,000		
-1.5m	-5'	*10200	6800	*11800	7950	*14900	10700	*19450	15400	*26400	25100	*14350	*14350
		*22,400	15,000	*26,000	17,500	*32,900	23,600	*42,900	34,000	*58,200	55,400	*31,700	*31,700
-3.0m	-10'	*10350	7800	*10700	8000	*14100	10700	*18250	15450	*24150	*24150	*21900	*21900
		*22,900	17,200	*23,600	17,600	*31,000	23,600	*40,300	34,000	*53,300	*53,300	*48,300	*48,300
-4.6m	-15'	*10350	9800			*11850	11000	*15750	*15750	*20500	*20500	*26950	*26950
		*22,800	21,600			*26,100	24,200	*34,700	*34,700	*45,200	*45,200	*59,400	*59,400
-6.1m	-20'	*9500	*9500					*10800	*10800	*14500	*14500		
		*20,900	*20,900					*23,800	*23,800	*32,000	*32,000		

*Load is limited by hydraulic capacity rather than tipping. Ratings are based on SAE standard NO. J1097. Rated loads do not exceed 87% of hydraulic lift capacity or 75% of tipping load.



LIFTING CAPACITY



PC600LC-8

- A: Reach from swing center
- B: Bucket hook height
- C: Lifting capacity
- Cf: Rating over front
- Cs: Rating over side
- ⊗: Rating at maximum reach

Boom : 7.3m 23'11", Arm : 3.5m 11'6", Bucket : 2.8m³ 3.66cu.yd, Shoes : 600mm 24" triple, L MODE: "ON"

unit: kg lb

B	A	⊗ MAX		9.1m 30'		7.6m 25'		6.1m 20'		4.6m 15'		3.0m 10'	
		Cf	Cs	Cf	Cs	Cf	Cs	Cf	Cs	Cf	Cs	Cf	Cs
9.1m	30'	*8150	*8150										
		*18,000	*18,000										
7.6m	25'	*7900	*7900	*9550	*9550								
		*17,400	*17,400	*21,100	*21,100								
6.1m	20'	*7950	7650	*12250	9500	*13450	*13450						
		*17,600	16,800	*27,000	20,900	*29,600	*29,600						
4.6m	15'	*8300	6800	*13050	9200	*14950	12900	*18050	*18050				
		*18,300	15,000	*28,700	20,200	*32,900	28,500	*39,800	*39,800				
3.0m	10'	*8900	6350	13050	8800	*16550	12150	*21000	17700	*29850	28350		
		*19,600	14,000	28,800	19,400	*36,500	26,800	*46,300	39,000	*65,800	62,500		
1.5m	5'	9450	6150	12650	8400	17250	11500	*23300	16500	*24850	*24850		
		20,900	13,600	27,900	18,500	38,000	25,300	*51,400	36,300	*54,700	*54,700		
0m	0'	9700	6300	12300	8100	16700	11000	24400	15700	*25450	25250		
		21,400	13,900	27,200	17,900	36,800	24,200	53,800	34,700	*56,100	55,700		
-1.5m	-5'	10400	6800	12150	7950	16350	10700	24000	15400	*32000	25100	*17300	*17300
		23,000	15,000	26,800	17,500	36,100	23,600	53,000	34,000	*70,500	55,400	*38,200	*38,200
-3.0m	-10'	11900	7800	12200	8000	16400	10700	*22950	15450	*30200	25400	*26150	*26150
		26,200	17,200	26,900	17,600	36,200	23,600	*50,600	34,000	*66,500	56,000	*57,600	*57,600
-4.6m	-15'	*13350	9800			*15150	11000	*19900	15750	*25800	*25800	*33950	*33950
		*29,400	21,600			*33,400	24,200	*43,900	34,800	*56,900	*56,900	*74,800	*74,800
-6.1m	-20'	*12450	*12450					*14050	*14050	*18650	*18650		
		*27,400	*27,400					*30,900	*30,900	*41,200	*41,200		

Boom : 6.6m 21'8", Arm : 2.9m 9'6", Bucket : 3.5m³ 4.58cu.yd, Shoes : 600mm 24" triple, L MODE: "OFF"

unit: kg lb

B	A	⊗ MAX		9.1m 30'		7.6m 25'		6.1m 20'		4.6m 15'		3.0m 10'	
		Cf	Cs	Cf	Cs	Cf	Cs	Cf	Cs	Cf	Cs	Cf	Cs
9.1m	30'	*9700	*9700										
		*21,400	*21,400										
7.6m	25'	*9050	*9050			*11550	*11550						
		*20,000	*20,000			*25,400	*25,400						
6.1m	20'	*8950	*8950			*11950	*11950						
		*19,700	*19,700			*26,400	*26,400						
4.6m	15'	*9200	8400	*11350	9050	*12900	12900	*15500	*15500	*20300	*20300		
		*20,300	18,500	*25,000	20,000	*28,500	28,400	*34,200	*34,200	*44,800	*44,800		
3.0m	10'	*9800	7750	*11800	8750	*14000	12250	*17650	*17650	*24700	*24700		
		*21,600	17,100	*26,000	19,300	*30,900	27,000	*38,900	*38,900	*54,500	*54,500		
1.5m	5'	*10800	7600	*12150	8450	*14900	11600	*19000	16350	*27350	26650		
		*23,800	16,700	*26,800	18,700	*32,900	25,600	*41,800	36,100	*60,300	58,800		
0m	0'	*11500	7800	*12100	8250	*15300	11200	*19900	16000	*27600	25700		
		*25,400	17,200	*26,700	18,200	*33,700	24,700	*43,900	35,300	*60,800	56,700		
-1.5m	-5'	*11600	8600			*14800	11000	*19350	15750	*26100	25600	*19300	*19300
		*25,600	18,900			*32,600	24,200	*42,700	34,700	*57,500	56,400	*42,600	*42,600
-3.0m	-10'	*11500	10250			*12850	11150	*16800	15250	*22950	*22950	*30500	*30500
		*25,400	22,600			*28,400	24,600	*37,100	33,600	*50,600	*50,600	*67,200	*67,200
-4.6m	-15'	*10650	*10650					*12900	*12900	*17500	*17500	*22300	*22300
		*23,500	*23,500					*28,500	*28,500	*38,500	*38,500	*49,100	*49,100

Boom : 6.6m 21'8", Arm : 2.9m 9'6", Bucket : 3.5m³ 4.58cu.yd, Shoes : 600mm 24" triple, L MODE: "ON"

unit: kg lb

B	A	⊗ MAX		9.1m 30'		7.6m 25'		6.1m 20'		4.6m 15'		3.0m 10'	
		Cf	Cs	Cf	Cs	Cf	Cs	Cf	Cs	Cf	Cs	Cf	Cs
9.1m	30'	*11850	*11850										
		*26,100	*26,100										
7.6m	25'	*11100	*11100			*14400	13650						
		*24,500	24,500			*31,800	30,100						
6.1m	20'	*10950	9550			*14950	13450						
		*24,200	21,100			*32,900	29,600						
4.6m	15'	*11250	8400	13350	9050	*16150	12900	*19200	*19200	*24900	*24900		
		*24,800	18,500	29,500	20,000	*35,600	28,400	*42,300	*42,300	*54,800	*54,800		
3.0m	10'	11650	7750	13050	8750	*17500	12250	*21850	17850	*30400	28900		
		25,700	17,100	28,800	19,300	*38,600	27,000	*48,200	39,400	*67,100	63,700		
1.5m	5'	11450	7600	12700	8450	17400	11600	*23650	16350	*33750	26650		
		25,300	16,700	28,100	18,700	38,400	25,600	*52,100	36,100	*74,400	58,800		
0m	0'	11850	7800	12500	8250	16950	11200	24750	16000	*34200	25700		
		26,100	17,200	27,600	18,200	37,300	24,700	54,500	35,300	*75,300	56,700		
-1.5m	-5'	13000	8600			16750	11000	*24200	15750	*32450	25600	*23100	*23100
		28,700	18,900			36,900	24,200	*53,300	34,700	*71,500	56,400	*50,900	*50,900
-3.0m	-10'	*14700	10250			*16350	11150	*21300	15250	*28700	25950	*36700	*36700
		*32,500	22,600			*36,100	24,600	*46,900	33,600	*63,300	57,300	*80,900	*80,900
-4.6m	-15'	*13800	*13800					*16550	16450	*22200	*22200	*28350	*28350
		*30,400	*30,400					*36,500	36,300	*48,900	*48,900	*62,600	*62,600

*Load is limited by hydraulic capacity rather than tipping. Ratings are based on SAE standard NO. J1097. Rated loads do not exceed 87% of hydraulic lift capacity or 75% of tipping load.



Transportation specifications (length x height x width)

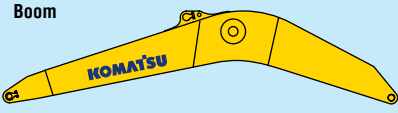
Backhoe

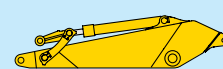
Specs shown include the following equipment:

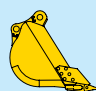
PC600-8 : Boom **7660 mm** 25'2", Arm **3500 mm** 11'6",
Bucket **2.7 m³** 3.53 yd³, Shoes **600 mm** 24" triple grouser

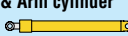
3 Kits Transportation

Work equipment assembly (Backhoe)
Weight : **12.2 t** 13.5 U.S.ton

Boom

4.8t : 7920 x 2040 x 1190
5.3U.S.ton : 26'0" x 6'8" x 3'11"

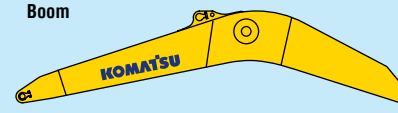
Arm

3.3t : 4870 x 1210 x 480
3.6U.S.ton : 16'0" x 4'0" x 1'7"

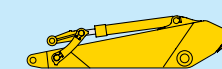
Bucket

2.4t : 2150 x 1780 x 1780
2.6U.S.ton : 7'1" x 5'10" x 5'10"

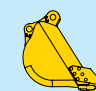
Boom cylinder & Arm cylinder

Total **1.7 t** 1.9 U.S.ton

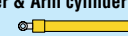
4 Kits Transportation

Work equipment assembly (Backhoe)
Weight : **12.2 t** 13.5 U.S.ton

Boom

4.8t : 7920 x 2040 x 1190
5.3U.S.ton : 26'0" x 6'8" x 3'11"

Arm

3.3t : 4870 x 1210 x 480
3.6U.S.ton : 16'0" x 4'0" x 1'7"

Bucket

2.4t : 2150 x 1780 x 1780
2.6U.S.ton : 7'1" x 5'10" x 5'10"

Boom cylinder & Arm cylinder

Total **1.7 t** 1.9 U.S.ton


Loading Shovel

Specs shown include the following equipment:

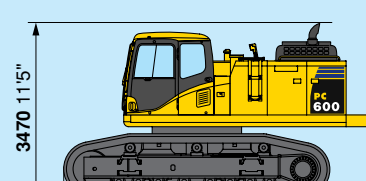
PC600-8 : Boom **4000 mm** 13'1", Arm **3000 mm** 9'10",
Bucket **4.0 m³** 5.2 yd³, Shoes **600 mm** 24" double grouser

3 Kits Transportation

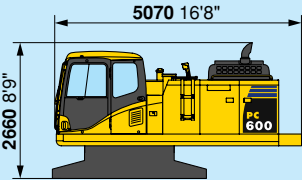
Work equipment assembly (Loading shovel)
Width : **2090** 6'10"
Weight : **16.2t** 17.9U.S.ton



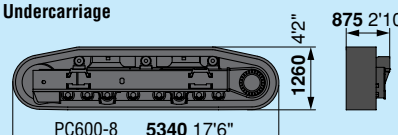
Base machine


PC600-8 **6270** 20'7"
PC600LC-8 **6440** 21'2"
Width : **3195** 10'6"
Weight : PC600-8 **34.1t** 37.6U.S.ton
PC600LC-8 **35.1t** 38.7U.S.ton

Upper structure

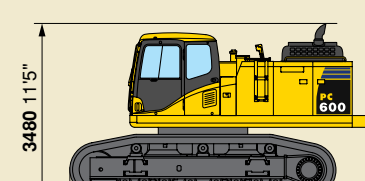

5070 16'8"
2660 8'9"
Width : **3195** 10'6"
Weight : **17.8t** 19.6U.S.ton

Undercarriage

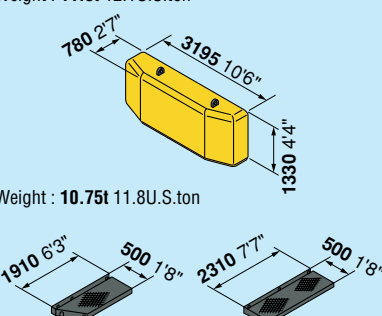

PC600-8 **5340** 17'6"
PC600LC-8 **5690** 18'8"
1260 4'2"
875 2'10"

Weight : PC600-8 **16.3t** [8.15t x 2] 18U.S.ton [9U.S.ton x 2]
PC600LC-8 **17.3t** [8.65t x 2] 19.1U.S.ton [9.5U.S.ton x 2]

Base machine

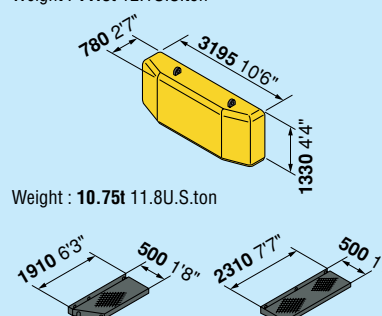

PC600-8 **6270** 20'7"
PC600LC-8 **6440** 21'2"
Width : **3195** 10'6"
Weight : PC600-8 **34.1t** 37.6U.S.ton
PC600LC-8 **35.1t** 38.7U.S.ton

Others
Weight : **11.0t** 12.1U.S.ton


780 2'7"
3195 10'6"
1330 4'4"
1910 6'3"
500 1'8"
2310 7'7"
500 1'8"

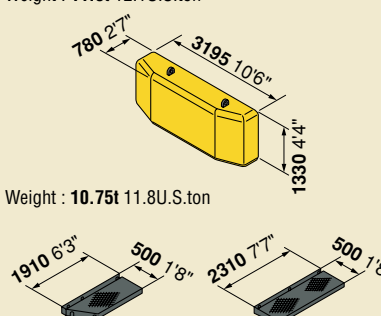
Weight : **10.75t** 11.8U.S.ton

Others
Weight : **11.0t** 12.1U.S.ton


780 2'7"
3195 10'6"
1330 4'4"
1910 6'3"
500 1'8"
2310 7'7"
500 1'8"

Weight : **10.75t** 11.8U.S.ton

Others
Weight : **11.0t** 12.1U.S.ton


780 2'7"
3195 10'6"
1330 4'4"
1910 6'3"
500 1'8"
2310 7'7"
500 1'8"

Weight : **10.75t** 11.8U.S.ton



STANDARD EQUIPMENT

ENGINE AND RELATED ITEMS:

- Air cleaner, double element, dry
- Engine, Komatsu SAA6D140E-5
- Variable speed cooling fan, with fan guard

ELECTRICAL SYSTEM:

- Alternator, 50 amp, 24 V
- Batteries, 170 Ah, 2 x 12 V
- Starting motors, 11kW
- Working lights 2 (boom and RH)
- Auto decelerator

UNDERCARRIAGE:

- 600 mm 24" triple grouser
- 8 track/3 carrier rollers (each side)
- 9 track/3 carrier rollers (each side)(LC)
- Hydraulic track adjusters (each side)
- Variable track gauge
- Sealed track

GUARDS AND COVERS:

- Dust-proof net for radiator and oil cooler
- Pump/engine room partition cover
- Travel motor guards
- Strengthened revolving frame underguard

OPERATOR ENVIRONMENT:

- Damper mount, all-weather, sound-suppressed cab with tinted safety glass windows, lockable door, intermittent window wiper and washer, floor mat, cigarette lighter and ashtray
- Multi-function color monitor, fuel control dials, service meter, gauges (coolant temperature, hydraulic oil temperature and fuel level), caution lights (electric charge, engine oil pressure, and air cleaner clogging), indicator lights (engine preheating and swing lock light) level check lights (coolant and engine oil level), self-diagnostic system with trouble data memory
- Seat, fully adjustable with suspension
- Cab with pull-up type front window
- Rear view mirror (RH)

HYDRAULIC CONTROLS:

- Fully hydraulic, with Open-Center Load-Sensing (OLSS) and engine speed sensing (pump and engine mutual control system)
- One gear pump for control circuit
- Two axial piston motors for swing with single-stage relief valve
- One axial piston motor per track for travel with counter balance valve
- Two variable capacity piston pumps
- Control valves, 5+4 spools (boom, arm, bucket, swing, and travel)
- Control levers, wrist control levers for arm, boom, bucket, and swing with PPC system
- Control levers and pedals for steering and travel with PPC system
- Oil cooler
- In-line filter
- L mode system
- Two-mode setting for boom
- Power max function

DRIVE AND BRAKE SYSTEM:

- Brakes, hydraulic lock travel brakes, oil disc parking
- Hydrostatic two travel speed system with planetary triple reduction final drive

OTHER STANDARD EQUIPMENT:

- Automatic swing holding brake
- Corrosion resister
- Counterweight, **10750 kg** 23,700 lb
- Horn, electric
- Marks and plates, English
- Paint, Komatsu standard
- Large handrails
- One-touch engine oil drainage
- PM tune-up service connector
- Travel alarm
- Rear reflector
- Anti-slip plates



OPTIONAL EQUIPMENT

- | | | |
|--|--|---|
| <ul style="list-style-type: none"> ● Alternator, 75 Amp, 24 V ● Arms (Backhoe):
PC600-8:
—3500 mm 11'6" arm assembly
—3500 mm 11'6" HD arm assembly
—4300 mm 14'1" arm assembly
—5200 mm 17'1" arm assembly
—2900 mm 9'6" SE arm assembly ● Auto air conditioner ● Automatic greasing ● Booms (Backhoe):
—7660 mm 25'2" boom assembly
—7300 mm 23'11" HD boom assembly
—6600 mm 21'8" SE boom assembly ● Cab front guard (ISO 10262 level 2) | <ul style="list-style-type: none"> ● Cab with fixed front window ● Catwalk ● Counterweight 13500kg 29,800 lb ● 12V electric supply ● Fire extinguisher ● Full length track guard ● General tool kit ● Grease gun, electric operated, with indicator ● Interconnected horn and warning light ● Large-capacity batteries ● Loading shovel attachments ● Lower wiper ● OPG top guard ● Radio AM/FM ● Rain visor | <ul style="list-style-type: none"> ● Rear view mirror (LH) ● Seat belt 78 mm 3", 50 mm 2" ● Shoes:
—600 mm 24" double grouser for backhoe
—750 mm 29.5" triple grouser for backhoe
—900 mm 35.5" triple grouser for PC600LC backhoe only ● Spare parts for first service ● Step light with timer ● Sun visor ● Track frame undercover (center) ● Vandalism protection locks ● Working lights 2 (on cab) |
|--|--|---|

www.Komatsu.com

Printed in Japan 200809 IP.As(05)

KOMATSU®